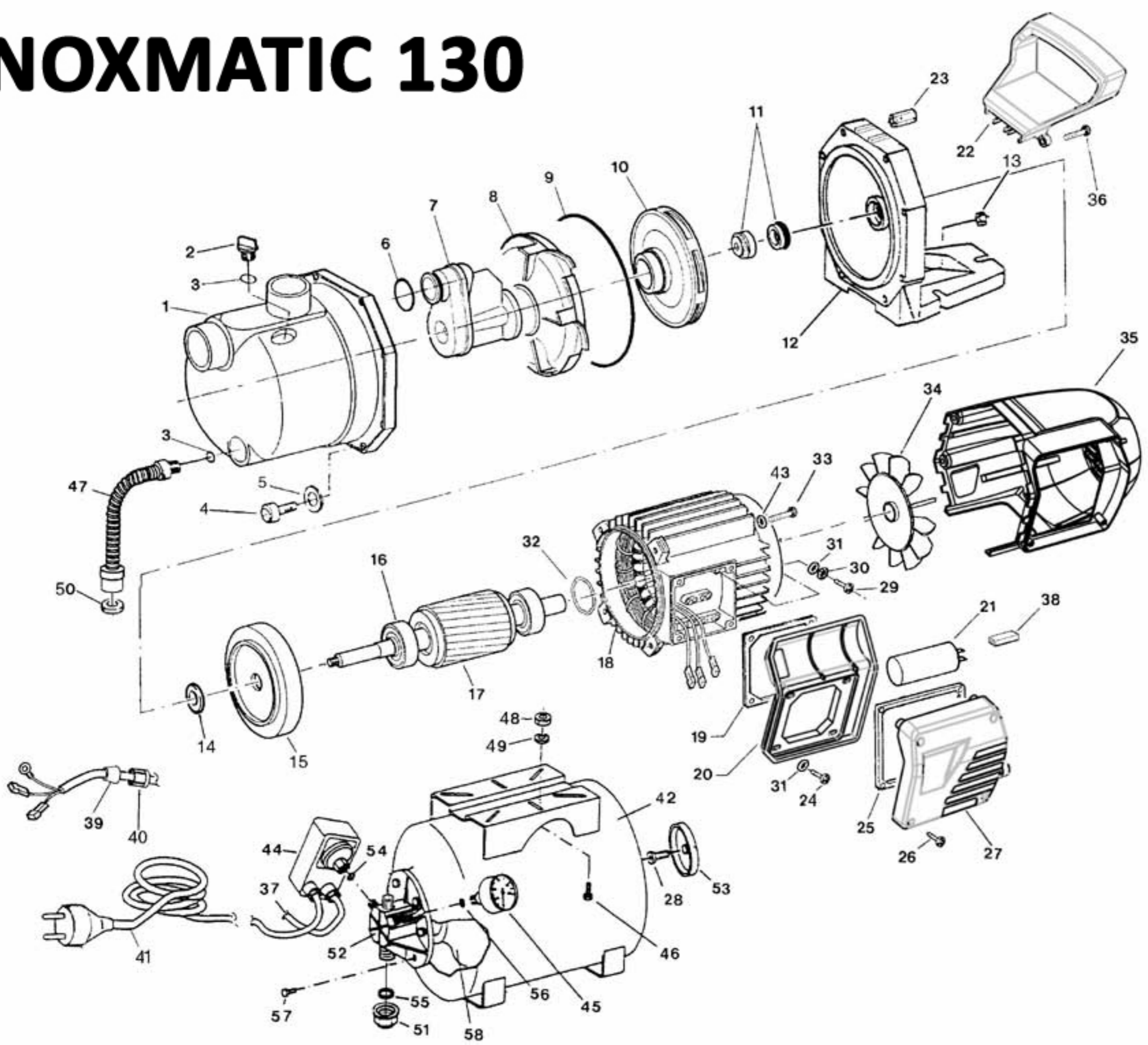


# INOXMATIC 130



## INOXMATIC 130

Model	Ref.	Art. Leader	Descrizione	Description
INOXMATIC 130 - LP330006	1	S3220002	Corpo pompa	Pump housing
INOXMATIC 130 - LP330006	2	S3500009	Tappo filettato 3/8" GAS	Screw 3/8" GAS
INOXMATIC 130 - LP330006	3	P1200004	Guarnizione O.Ring	Joint O.Ring
INOXMATIC 130 - LP330006	4	P1100025	Vite	Screw
INOXMATIC 130 - LP330006	5	P1120008	Rosetta	Washer
INOXMATIC 130 - LP330006	6	P1200002	Guarnizione O.Ring	Joint O.Ring
INOXMATIC 130 - LP330006	7	S3250005	Gruppo idraulico	Injector
INOXMATIC 130 - LP330006	8	S3500036	Diffusore	Diffuser
INOXMATIC 130 - LP330006	9	P1200001	Guarnizione O.Ring	Joint O.Ring
INOXMATIC 130 - LP330006	10	S3250057	Girante	Impeller
INOXMATIC 130 - LP330006	11	P1220003	Gruppo tenuta meccanica	Mechanical seal
INOXMATIC 130 - LP330006	12	S3600161	Flangia senza manico	Flange without handle
INOXMATIC 130 - LP330006	13	P1110001	Dado	Nut
INOXMATIC 130 - LP330006	14	P1240001	Paraspruzzi	Joint
INOXMATIC 130 - LP330006	15	S3120001	Flangia anteriore	Anterior flange
INOXMATIC 130 - LP330006	16	P1180011	Cuscinetto	Bearing
INOXMATIC 130 - LP330006	17	S3111008	Albero rotore completo di cuscinetti	Shaft with bearings
INOXMATIC 130 - LP330006	18	S3410123	Statore completo	Stator
INOXMATIC 130 - LP330006	19	S3500199	Gasket basetta 63/71	Gasket
INOXMATIC 130 - LP330006	20	S3500694	Basetta portacondensatore	Base capacitor holder
INOXMATIC 130 - LP330006	21	P1360001	Condensatore	Capacitor
INOXMATIC 130 - LP330006	22	S3500644	Manico	Handle
INOXMATIC 130 - LP330006	23	P1110019	Manicotto esagonale	Hexagonal sleeve
INOXMATIC 130 - LP330006	24	P1100004	Vite	Screw
INOXMATIC 130 - LP330006	25	P1200073	Guarnizione O.Ring	Joint O.Ring
INOXMATIC 130 - LP330006	26	P1100006	Vite	Screw
INOXMATIC 130 - LP330006	27	S3500643	Coperchio portacondensatore	Cap capacitor holder
INOXMATIC 130 - LP330006	28	P1230008	Valvola per serbatoio	Valve
INOXMATIC 130 - LP330006	29	P1100055	Vite terra	Earth screw
INOXMATIC 130 - LP330006	30	P1120003	Rosetta elastica	Spring-washer
INOXMATIC 130 - LP330006	31	P1120051	Rosetta	Washer
INOXMATIC 130 - LP330006	32	P1120001	Anello onda	Waved ring
INOXMATIC 130 - LP330006	33	P1100046	Vite	Screw
INOXMATIC 130 - LP330006	34	P1510001	Ventola raffreddamento Mec 71	Fan Mec 71
INOXMATIC 130 - LP330006	35	S3500641	Carena	Body
INOXMATIC 130 - LP330006	36	P1100083	Vite	Screw
INOXMATIC 130 - LP330006	37	P1330008	Cavo collegamento pressostato	Cable
INOXMATIC 130 - LP330006	38	P1390011	Connettore	Tab terminal
INOXMATIC 130 - LP330006	39	P1230001	Gommino d9	Joint d9
INOXMATIC 130 - LP330006	40	P1510009	Dado	Nut
INOXMATIC 130 - LP330006	41	P1330003	Cavo di alimentazione	Cable
INOXMATIC 130 - LP330006	42	S3260002	Carcassa serbatoio 24 lt. rosso	Shell 24 lt.
INOXMATIC 130 - LP330006	43	P1120030	Rosetta elastica	Spring-washer
INOXMATIC 130 - LP330006	44	P1380013	Pressostato	Pressure switch
INOXMATIC 130 - LP330006	45	P1170002	Manometro	Manometer
INOXMATIC 130 - LP330006	46	P1100005	Vite	Screw
INOXMATIC 130 - LP330006	47	P1690037	Tuboflex	Flexible pipe
INOXMATIC 130 - LP330006	48	P1110003	Dado	Nut
INOXMATIC 130 - LP330006	49	P1120005	Rosetta	Washer
INOXMATIC 130 - LP330006	50	P1240025	Guarnizione piana	Joint
INOXMATIC 130 - LP330006	51	S3500527	Tappo 1" GAS	Cap 1" GAS
INOXMATIC 130 - LP330006	52	S3600380	Flangia 4 vie	4-way flange
INOXMATIC 130 - LP330006	53	S3500166	Coprivalvola serbatoio	Valve cap
INOXMATIC 130 - LP330006	54	P1200016	Guarnizione O.Ring	Joint O.Ring
INOXMATIC 130 - LP330006	55	P1200049	Guarnizione O.Ring	Joint O.Ring
INOXMATIC 130 - LP330006	56	P1200003	Guarnizione O.Ring	Joint O.Ring
INOXMATIC 130 - LP330006	57	P1100026	Vite	Screw
INOXMATIC 130 - LP330006	58	P1230022	Membrana	Membrane