

批准	审核	编制
		赵树欣
		2011.11.03

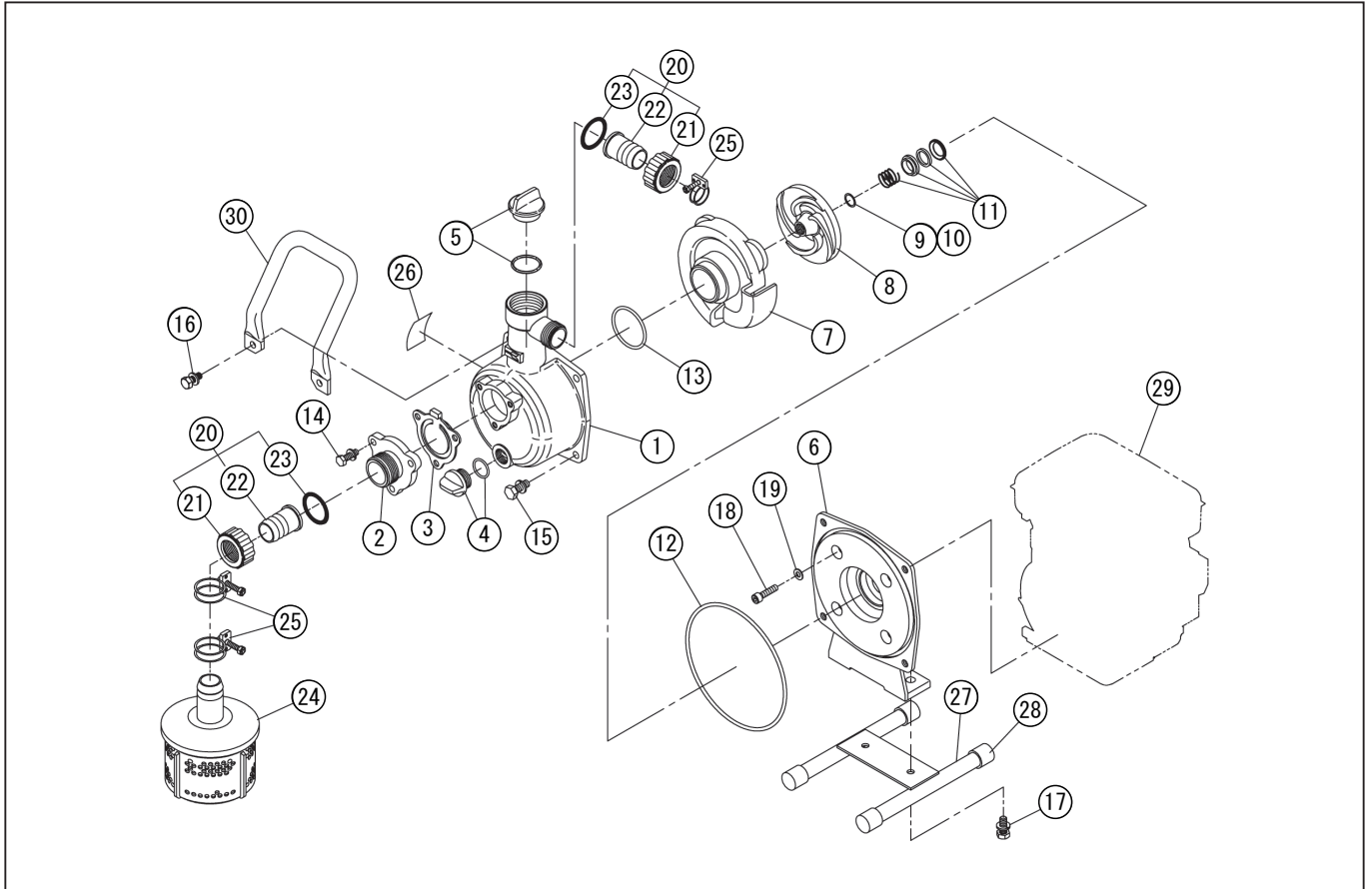
KC26-B0 GASOLINE ENGINE PARTS LIST

CE

Validity : by 20th January, 2013

Item	KOSHIN Part No.	Part Name	Qty	Item	KOSHIN Part No.	Part Name	Qty
1	100028701	Bolt assy M5×10	1	40	100028601	Bolt assy M4×20	2
2	100030201	Housing	1	41	100026801	Gasket,muffler	1
3	100028501	Bolt assy M5×12	2	42	100024801	Muffler assy	1
4	100024501	Baffle of cylinder top	1	43	100024601	Heat shield	1
5	100030101	Spark plug RCJ6Y	1	44	100029201	Washer φ5	4
6	100027901	Bolt M5×20	7	45	100029301	Washer φ5	4
7	100031201	Cylinder	1	46	100027501	Bolt M5×50	2
8	100026301	Gasket,cylinder	1	47	100026501	Gasket,insulator	1
9	100024001	Ring,piston	2	48	100027301	Insulator	1
10	100023801	Piston	1	49	100027701	Bolt assy M5×25	3
11	100023901	Pin,piston 8×28	1	50	100026901	Gasket,carburetor	1
12	100024101	Ring, snap	2	51	100025001	Carburetor comp	1
13	100029901	Needle bearing	1	52	100026601	Gasket,carburetor	1
14	100024401	Washer,thrust	2	53	100039401	Pipe L=45	1
15	100024301	Crank shaft assy	1	54	100024201	Clip , pipe	1
16	100029701	Bearing 6001/P53	2	55	100039501	Fuel pipe L=85	1
17	100029401	PIN B3×10	2	56	100030401	Choke Handle	1
18	100026701	Gasket,crankcase	1	57	100030501	Base, cleaner	1
19	100031101	Rear crankcase	1	58	100025101	Primer pump assy	1
20	100030001	Oil seal 12×22×7	2	59	100030301	Choke	1
21	100025901	Starter pulley comp	1	60	100028101	Bolt ST3×12	1
22	100025801	Starter comp	1	61	100027101	Air filter element	1
23	100028401	Bolt assy M5×16	4	62	100027601	Bolt assy M5×60	2
24	100029501	Woodruff key	1	63	100030601	Cover, cleaner	1
25	100031001	Front crankcase	1	64	100030701	Knob,cover	1
26	100028001	Bolt M5×30	3	65	100026001	Fuel filter comp	1
27	012151301	Rotor	1	66	100039601	Fuel pipe L=150	1
28	100028801	Nut M8×1	1	67	100027001	Fuel pipe plug	
29	100026101	Connect shaft	1	68	100030801	Fule tank	1
30	100027801	Bolt M6×20	2	69	100027201	Cap,fule tank	1
31	100029801	Bearing 6001 ZZCM NSK	1	70	100028201	Bolt assy M5×25	3
32	012151401	Flywheel cover	1	71	100029101	Washer φ5	3
33	100024701	Bracket	1	72	100027401	Washer	3
34	100025601	Stop Button Comp.	1	73	100025501	Cable Comp	1
35	100028301	Bolt assy M4×10	2	74	100026201	Throttle Lever	1
36	100029001	Washer φ4	2	75	100028901	Nut M6	2
37	100026401	Space,ig coil	2		100029601	Plug Wrench	1
38	100025701	Wire, lead	1				
39	100025401	Ignition coil comp	1				

AT-25

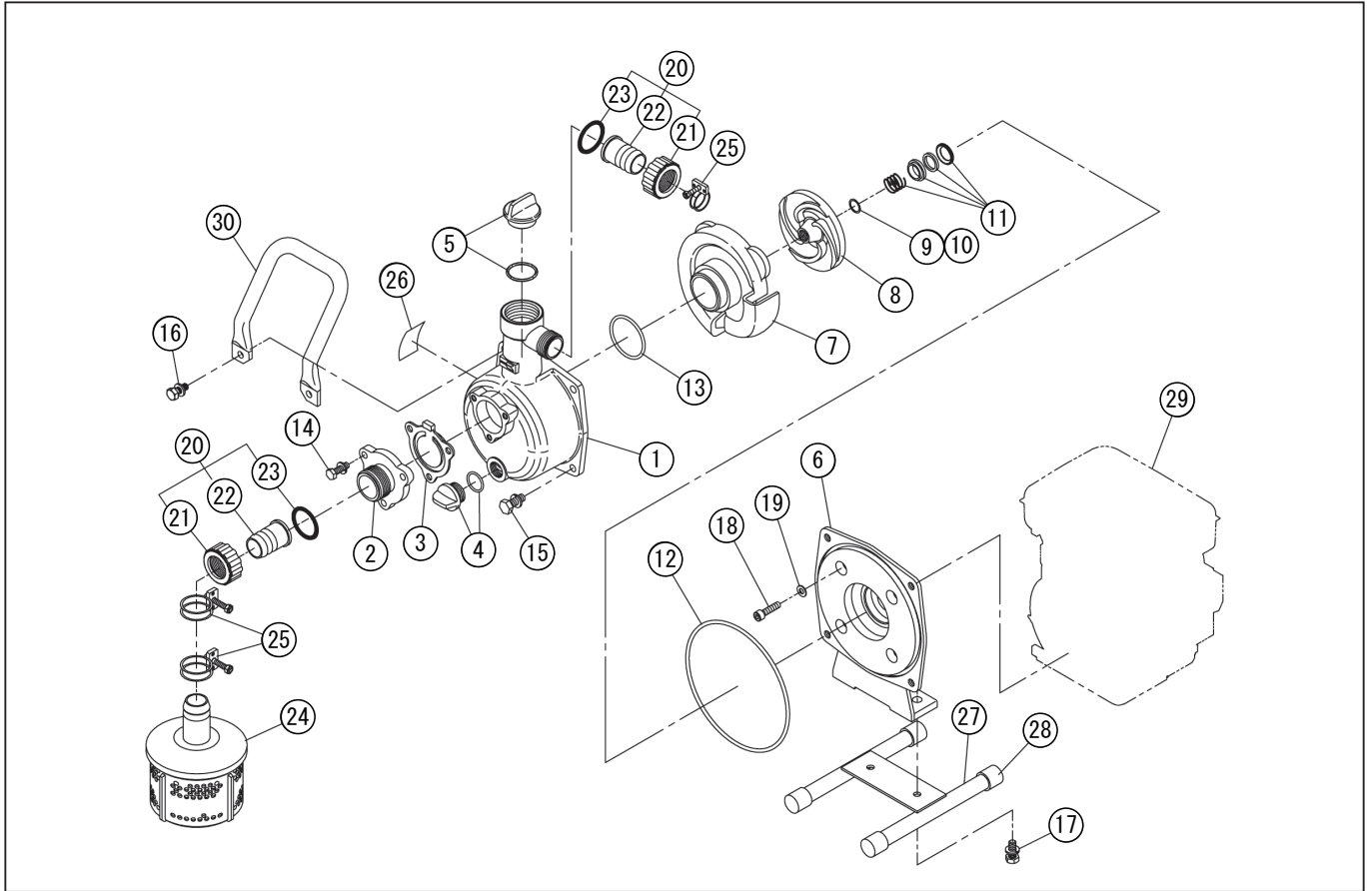


DWG No.012911907 MODELE:SEV-25L FORM:SEV-25L-BAC-0

No.	PARTS CODE	PARTS NAME	QTY	MATERIAL/SIZE	LIST PRICE	REMARKS
1	0113329	PUMP CASING	1	ADC		
2	0113325	SUCTION FLANGE	1	ADC		
3	0113326	CHECK VALVE	1	NBR		
4	0148010	15A PLUG SET	1			
5	0118450	32A PLUG SET	1			
6	0114992	FLANGE BRACKET	1	ADC		
7	0112528	VOLUTE CASING	1	ADC		
8	0114993	IMPELLER	1	ADC		
9	0140251	IMPELLER ADJUSTING WASHER	1	BS T=0.3		
10	0121628	IMPELLER ADJUSTING WASHER	1	BS T=0.6		
11	0116054	MECHANICAL SEAL	1	HG-12		
12	890255031	O-RING	1	1517-31 NBR		
13	889855042	O-RING	1	P42 NBR		
14	743119032	HEXAGON BOLT	3	M6X20 SWRM		
15	743119045	HEXAGON BOLT	2	M8X20 SWRM		
16	743119046	HEXAGON BOLT	2	M8X22 SWRM		
17	743119043	HEXAGON BOLT	2	M8X16 SWRM		
18	734532274	HEXAGON SOCKET BOLT	4	M5X40 CS		
19	854255005	SEAL WASHER	4	φ 5		
20	0348124	COUPLING SET	2	25MM		
21	0340781	COUPLING	2	ABS		
22	0340782	HOSE NIPPLE	2	ABS		
23	0340065	COUPLING PACKING	2	CR		
24	0118193	STRAINER SET	1			
25	940019032	HOSE BAND	3	φ 32		
26	0121765	NAME PLATE	1			
27	0118267	BASE SET	1			
28	0112576	PIPE RUBBER	4	NBR 70 °		
29	0121638	ENGINE	1	KOSHIN KC26-B0		
30	0114277	HANDLE	1			

◆ Bare engine can not be supplied

AT-25



DWG No.012911907 MODELE:SEV-25L FORM:SEV-25L-BAC-0

No.	PARTS CODE	PARTS NAME	QTY	MATERIAL/SIZE	LIST PRICE	REMARKS
	0121746	PACKING CASE	1			

◆ Bare engine can not be supplied