

DESPIECE ECO-100

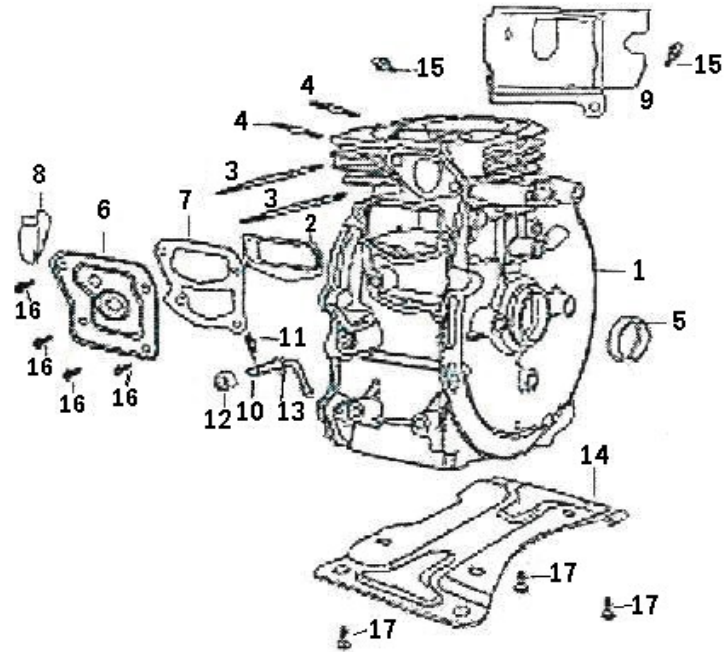


Champion

CONTENTS

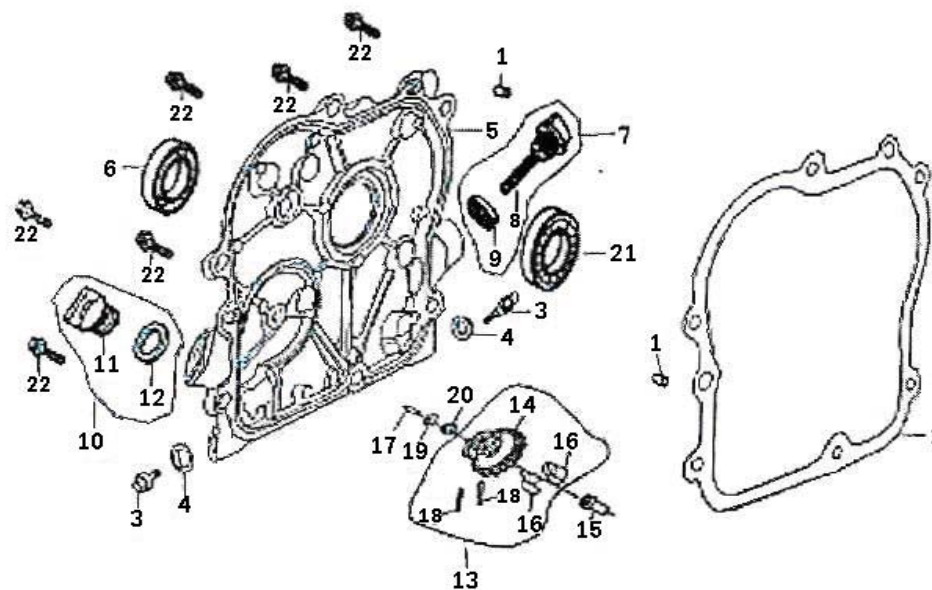
| | page |
|---|------|
| 1. Crankcase assy..... | 3 |
| 2. Crankcase cover assy..... | 4 |
| 3. Cylinder cover..... | 5 |
| 4. Crankshaft, piston & connecting rod..... | 6 |
| 5. Combination of camshaft & valve..... | 7 |
| 6. Carburetor assy..... | 8 |
| 7. Fuel tank assy..... | 9 |
| 8. Air cleaner assy | 10 |
| 9. Muffler..... | 11 |
| 10. Recoil starter..... | 12 |
| 11. Governing control system..... | 13 |
| 12. Flywheel..... | 14 |
| 13. Ignition coil..... | 15 |

Crankcase assy



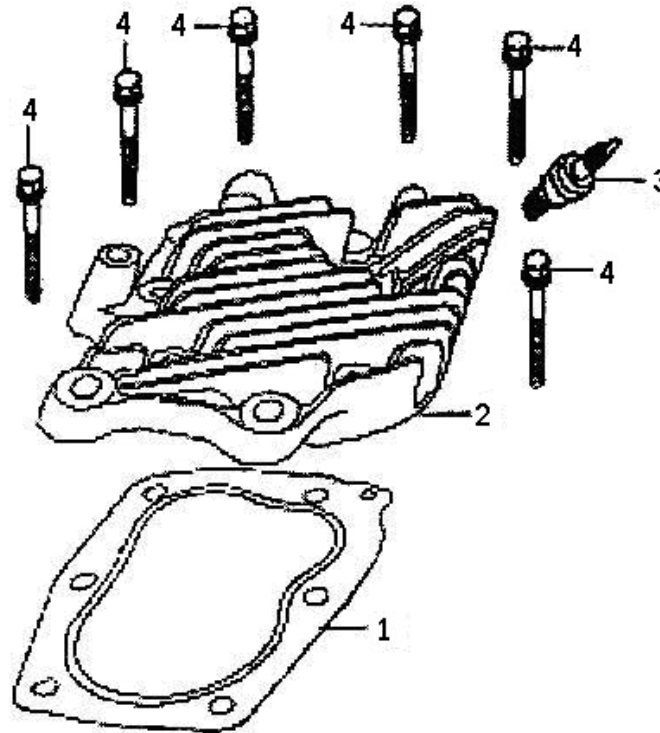
| Ref. No | Parts No | Parts Name | Q'ty | Remarks | Ref. No | Parts No | Parts Name | Q'ty | Remarks |
|---------|----------|------------------------------------|------|---------|---------|-----------|--------------------|------|---------|
| 1 | 11100 | Crankcase | 1 | | 10 | 26311 | Sway bar | 1 | |
| 2 | 11130 | Valve chamber clapboard sub-assy | 1 | | 11 | 26321 | Keeper, sway bar | 1 | |
| 3 | 12252 | Stud M5 x 118 | 2 | | 12 | 26327 | Oil seal, sway bar | 1 | |
| 4 | 12253 | Stud M6 x 52 | 2 | | 13 | 26329 | Washer, sway bar | 1 | |
| 5 | 13180 | Oil seal (17 x 30 x 6), crankshaft | 1 | | 14 | 41151 | Bottom plate | 1 | |
| 6 | 15463 | Cover, oil filter | 1 | | 15 | GB5789-86 | Bolt M6 x 14 | 2 | |
| 7 | 15465 | Gasket | 1 | | 16 | GB5789-86 | Bolt M5 x 10 | 4 | |
| 8 | 15512 | Return pipe | 1 | | 17 | GB5789-86 | Bolt M8 x 18 | 4 | |
| 9 | 19721 | Flow guard, lower | 1 | | | | | | |

Crankcase cover assy



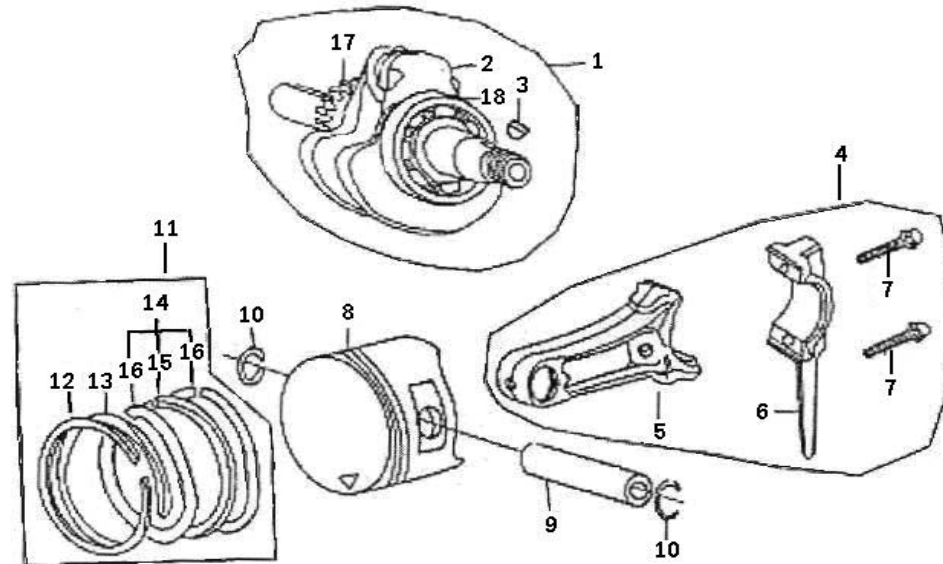
| Ref. No | Parts No | Parts Name | Q'ty | Remarks | Ref. No | Parts No | Parts Name | Q'ty | Remarks |
|---------|----------|------------------------------------|------|---------|---------|-----------|--------------------------------|------|---------|
| 1 | 11118 | Set pin $\Phi 8 \times 14$ | 2 | | 12 | 15652 | Seal, oil plug | 1 | |
| 2 | 11119 | Gasket, crankcase | 1 | | 13 | 25120 | Driven gear sub-assy, governor | 1 | |
| 3 | 11212 | Drain plug | 2 | | 14 | 25121 | Driven gear, governor | 1 | |
| 4 | 11213 | Washer | 2 | | 15 | 25131 | Sliding sleeve | 1 | |
| 5 | 11311 | Crankcase cover | 1 | | 16 | 25141 | Flyweight | 2 | |
| 6 | 13180 | Oil seal (17 x 30 x 6), crankshaft | 1 | | 17 | 25151 | Governing shaft | 1 | |
| 7 | 15610 | Dipstick sub-assy | 1 | | 18 | 25163 | Pin, flyweight | 2 | |
| 8 | 15611 | Dipstick | 1 | | 19 | 25164 | Snap ring | 1 | |
| 9 | 15612 | Seal, dipstick | 1 | | 20 | 25165 | Washer, driven gear | 1 | |
| 10 | 15650 | Oil plug sub-assy | 1 | | 21 | GB276-94 | Bearing 6203 | 1 | |
| 11 | 15651 | Oil plug | 1 | | 22 | GB5789-86 | Bolt M6 x 29 | 6 | |

Cylinder cover



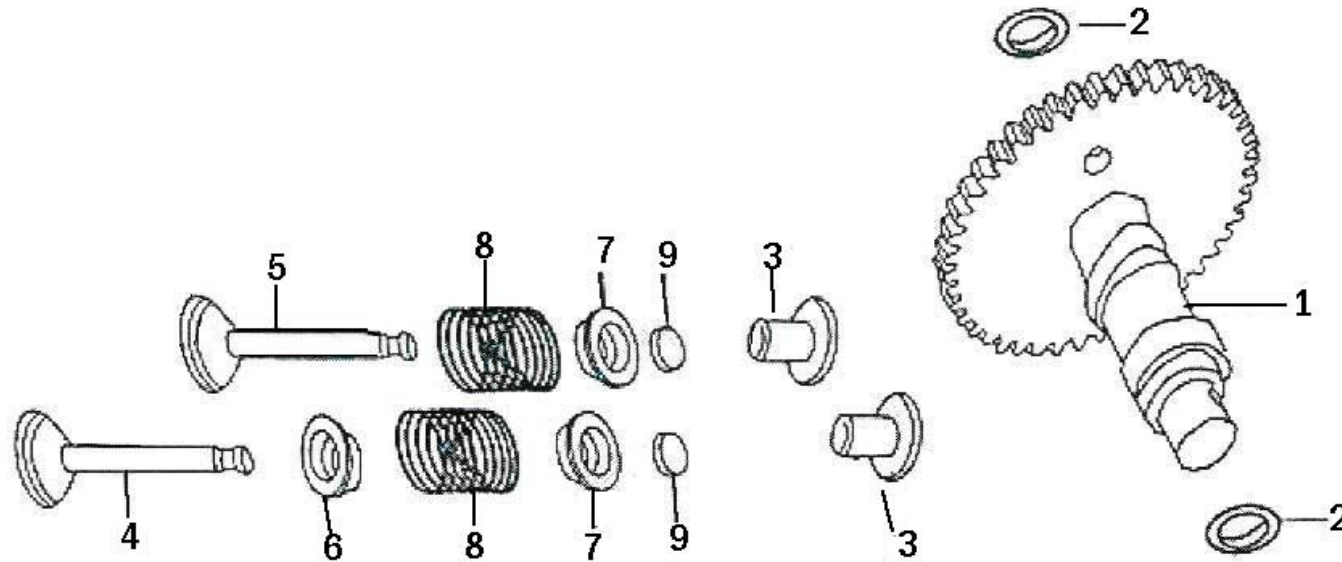
| Ref. No | Parts No | Parts Name | Q'ty | Remarks | Ref. No | Parts No | Parts Name | Q'ty | Remarks |
|---------|----------|-----------------------|------|---------|---------|-----------|--------------|------|---------|
| 1 | 12221 | Gasket, cylinder head | 1 | | 3 | 34200 | Spark plug | 1 | |
| 2 | 12311 | Cylinder cover | 1 | | 4 | GB5789-86 | Bolt M6 x 35 | 6 | |

Crankshaft, piston & connecting rod



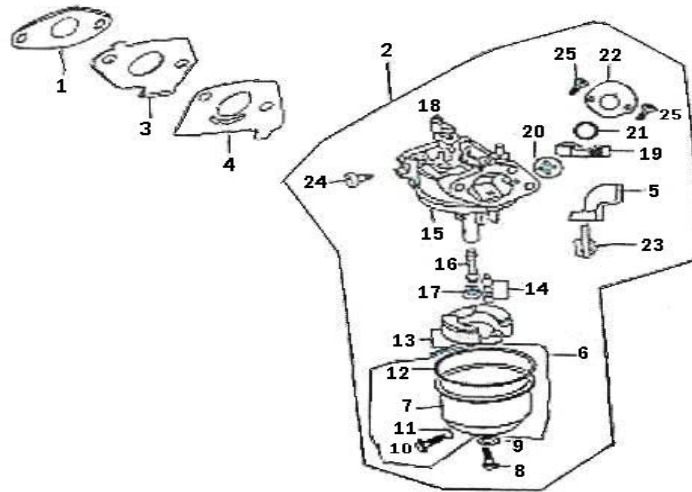
| Ref. No | Parts No | Parts Name | Q'ty | Remarks | Ref. No | Parts No | Parts Name | Q'ty | Remarks |
|---------|----------|---------------------|------|---------|---------|----------|---------------------|------|---------|
| 1 | 13110 | Crankshaft sub-assy | 1 | | 10 | 13222 | Circlip, piston pin | 2 | |
| 2 | 13111 | Crankshaft | 1 | | 11 | 13300 | Piston ring set | 1 | |
| 3 | 13118 | Woodruff key | 1 | | 12 | 13311 | Piston ring (I) | 1 | |
| 4 | 13130 | Connecting rod | 1 | | 13 | 13312 | Piston ring (II) | 1 | |
| 5 | 13131 | Shank | 1 | | 14 | 13320 | Oil ring, 3-piece | 1 | |
| 6 | 13132 | Cap connecting rod | 1 | | 15 | 13321 | Expander | 1 | |
| 7 | 13133 | Bolt | 2 | | 16 | 13322 | Side rail | 2 | |
| 8 | 13211 | Piston | 1 | | 17 | 14211 | Timing driving gear | 1 | |
| 9 | 13221 | Piston pin | 1 | | 18 | GB276-94 | Bearing 6203 | 1 | |

Combination of camshaft & valve



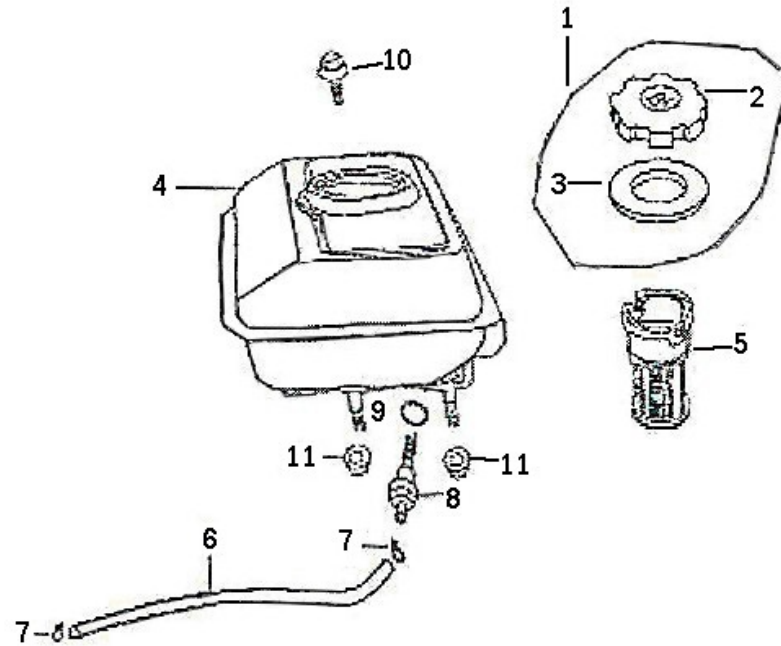
| Ref. No | Parts No | Parts Name | Q'ty | Remarks | Ref. No | Parts No | Parts Name | Q'ty | Remarks |
|---------|----------|------------------|------|---------|---------|----------|----------------------|------|---------|
| 1 | 14111 | Camshaft | 1 | | 6 | 14730 | Oil seal, valve stem | 1 | |
| 2 | 14114 | Washer, camshaft | 2 | | 7 | 14751 | Spring seat, valve | 2 | |
| 3 | 14455 | Tappet | 2 | | 8 | 14755 | Valve spring | 2 | |
| 4 | 14711 | Intake valve | 1 | | 9 | 14758 | Cap | 2 | |
| 5 | 14721 | Exhaust valve | 1 | | | | | | |

Carburetor assy



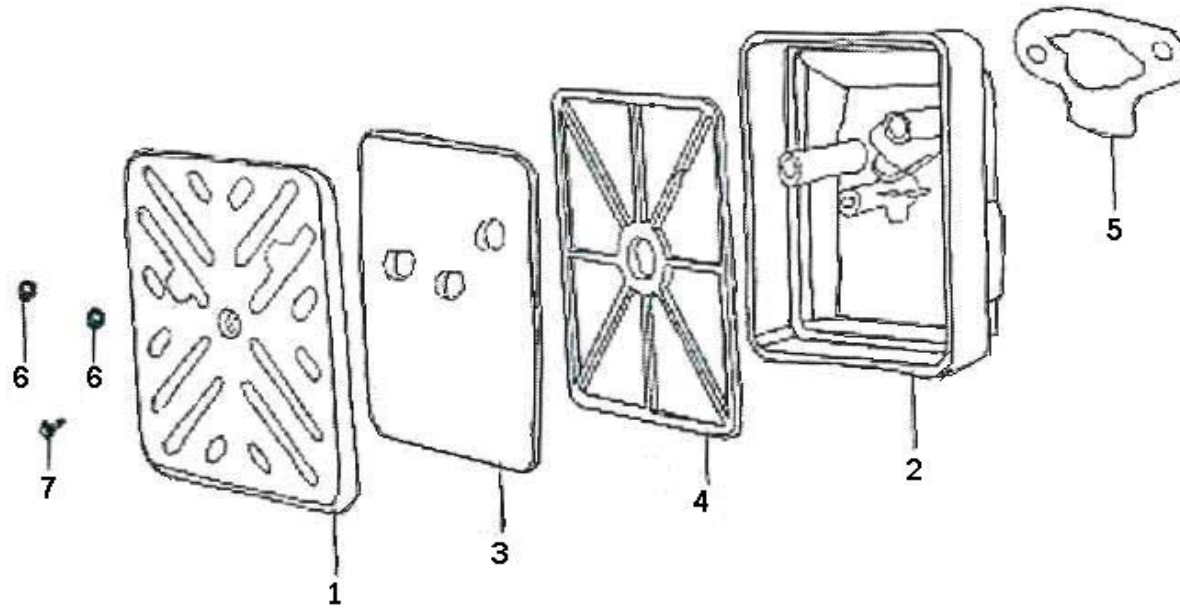
| Ref. No | Parts No | Parts Name | Q'ty | Remarks | Ref. No | Parts No | Parts Name | Q'ty | Remarks |
|---------|----------|----------------------------|------|---------|---------|-----------|----------------------|------|---------|
| 1 | 12254 | Gasket, intake port | 1 | | 14 | 16240 | Needle valve | 1 | |
| 2 | 16100 | Carburetor assy | 1 | | 15 | 16250 | Mixture chamber body | 1 | |
| 3 | 16141 | Connecting block | 1 | | 16 | 16251 | Main nozzle | 1 | |
| 4 | 16142 | Gasket, carburetor | 1 | | 17 | 16254 | Main jet | 1 | |
| 5 | 16148 | Choke lever | 1 | | 18 | 16280 | Throttle unit | 1 | |
| 6 | 16210 | Float chamber sub-assy | 1 | | 19 | 16311 | Throttle lever | 1 | |
| 7 | 16211 | Float chamber | 1 | | 20 | 16312 | Airproof washer | 1 | |
| 8 | 16213 | Screw | 1 | | 21 | 16313 | Washer | 1 | |
| 9 | 16214 | Seal, screw | 1 | | 22 | 16314 | Cover | 1 | |
| 10 | 16215 | Drain screw, float chamber | 1 | | 23 | 16330 | Choke unit | 1 | |
| 11 | 16216 | Washer | 1 | | 24 | 16421 | Idle adjusting screw | 1 | |
| 12 | 16219 | Gasket, float chamber | 1 | | 25 | GB5789-86 | Screw M4 x 6 | 2 | |
| 13 | 16230 | Float sub-assy | 1 | | | | | | |

Fuel tank assy



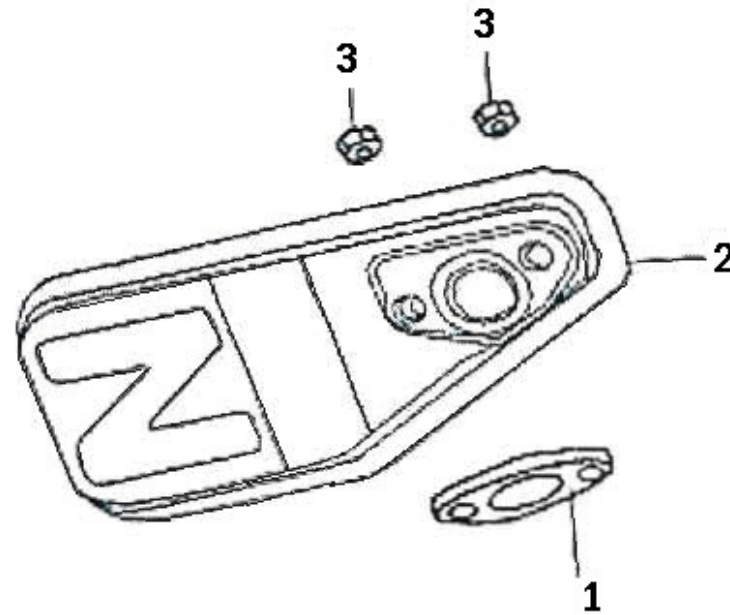
| Ref. No | Parts No | Parts Name | Q'ty | Remarks | Ref. No | Parts No | Parts Name | Q'ty | Remarks |
|---------|----------|--------------------------|------|---------|---------|-----------|--------------------------|------|---------|
| 1 | 16500 | Fuel filler cap sub-assy | 1 | | 7 | 16937 | Pipe clamp | 2 | |
| 2 | 16510 | Fuel filler cap | 1 | | 8 | 16950 | Outlet nipple | 1 | |
| 3 | 16521 | Packing ring | 1 | | 9 | 16961 | Seal ring, outlet nipple | 1 | |
| 4 | 16610 | Fuel tank | 1 | | 10 | GB5789-86 | Bolt M6 x 14 | 1 | |
| 5 | 16916 | Filter cup | 1 | | 11 | GB6177-86 | Nut M6 | 2 | |
| 6 | 16931 | Outlet pipe | 1 | | | | | | |

Air cleaner assy



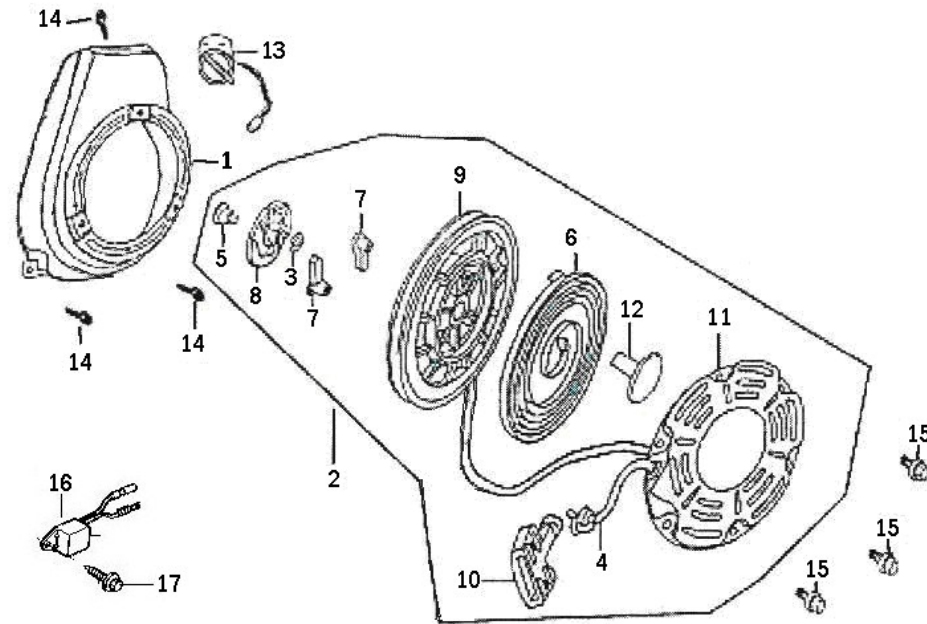
| Ref. No | Parts No | Parts Name | Q'ty | Remarks | Ref. No | Parts No | Parts Name | Q'ty | Remarks |
|---------|----------|----------------------|------|---------|---------|--------------|-----------------------------|------|---------|
| 1 | 17111 | Cover, air cleaner | 1 | | 5 | 17331 | Gasket, air cleaner | 1 | |
| 2 | 17131 | Housing, air cleaner | 1 | | 6 | GB6177-86 | Nut M6 | 2 | |
| 3 | 17133 | Foam, air cleaner | 1 | | 7 | GB/T845-1985 | Self-tapping screw ST4 x 10 | 1 | |
| 4 | 17171 | Bracket, air cleaner | 1 | | | | | | |

Muffler



| Ref. No | Parts No | Parts Name | Q'ty | Remarks | Ref. No | Parts No | Parts Name | Q'ty | Remarks |
|---------|----------|----------------------|------|---------|---------|-----------|------------|------|---------|
| 1 | 12255 | Gasket, exhaust port | 1 | | 3 | GB6177-86 | Nut M6 | 2 | |
| 2 | 18300 | Exhaust muffler | 1 | | | | | | |

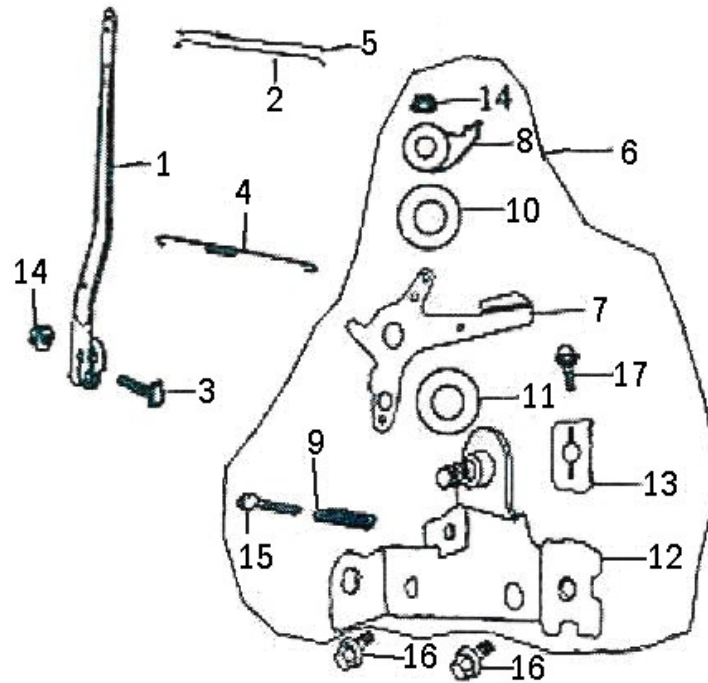
Recoil starter- R



| Ref. No | Parts No | Parts Name | Q'ty | Remarks | Ref. No | Parts No | Parts Name | Q'ty | Remarks |
|---------|----------|-------------------|------|---------|---------|-----------|----------------|------|---------|
| 1 | 19710 | Fan hood sub-assy | 1 | | 10 | 27361 | Grip, starter | 1 | |
| 2 | 27300 | Recoil starter | 1 | | 11 | 27381 | Casing | 1 | |
| 3 | 27311 | Friction spring | 1 | | 12 | 27384 | Spring seat | 1 | |
| 4 | 27313 | Rope | 1 | | 13 | 35410 | Engine switch | 1 | |
| 5 | 27315 | Shoulder screw | 1 | | 14 | GB5789-86 | Bolt M6 x 8 | 3 | |
| 6 | 27319 | Spiral spring | 1 | | 15 | GB5789-86 | Bolt M6 x 14 | 3 | |
| 7 | 27331 | Ratchet | 2 | | 16 | 35100 | Oil alter unit | 1 | |
| 8 | 27341 | Lid, spring | 1 | | 17 | GB5789-86 | Bolt M6 x 10 | 1 | |
| 9 | 27351 | Spool, starter | 1 | | | | | | |

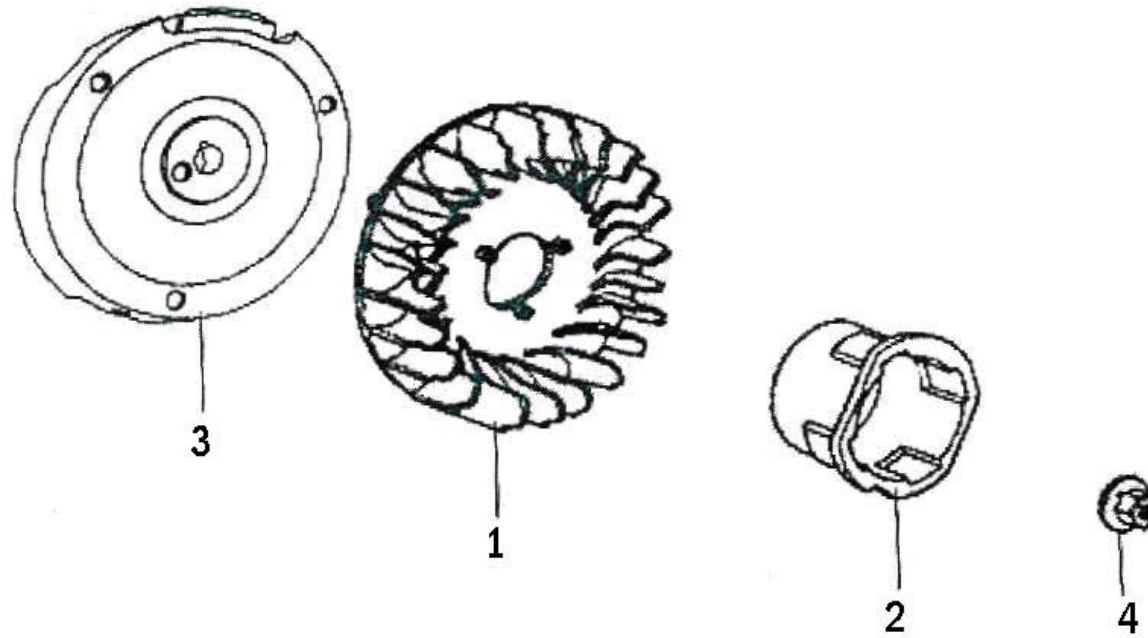
NO HAY DESPIECE DEL ARRANQUE

Covering control system



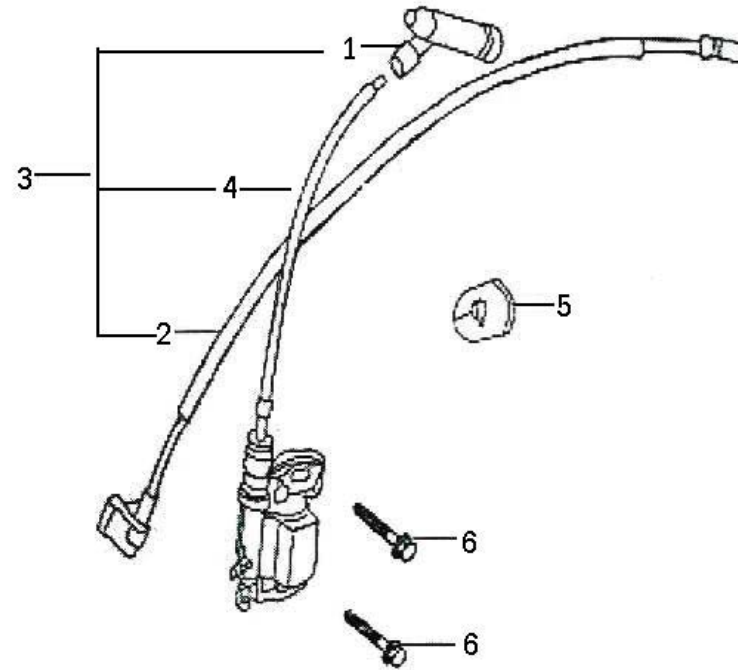
| Ref. No | Parts No | Parts Name | Q'ty | Remarks | Ref. No | Parts No | Parts Name | Q'ty | Remarks |
|---------|----------|----------------------------|------|---------|---------|------------|-----------------------|------|---------|
| 1 | 26331 | Governor arm | 1 | | 10 | 26418 | Wave washer | 1 | |
| 2 | 26341 | Pull-rod, governor | 1 | | 11 | 26419 | Washer | 1 | |
| 3 | 26362 | Lock boll | 1 | | 12 | 26420 | Supporting plate unit | 1 | |
| 4 | 26363 | Return spring | 1 | | 13 | 26422 | Pressure plate | 1 | |
| 5 | 26364 | Assistant spring, governor | 1 | | 14 | GB6177-86 | Nut M6 | 2 | |
| 6 | 26410 | Mount, governor | 1 | | 15 | GB818-85-H | Bolt M5 x 25 | 1 | |
| 7 | 26412 | Handle | 1 | | 16 | GB5789-86 | Bolt M6 x 14 | 2 | |
| 8 | 26414 | Positioning plate | 1 | | 17 | GB818-85-H | Bolt M5 x 16 | 1 | |
| 9 | 26415 | Spring, governor | 1 | | | | | | |

Flywheel



| Ref. No | Parts No | Parts Name | Q'ty | Remarks | Ref. No | Parts No | Parts Name | Q'ty | Remarks |
|---------|----------|-----------------|------|---------|---------|----------|----------------|------|---------|
| 1 | 19722 | Fan, flywheel | 1 | | 3 | 27500 | Flywheel | 1 | |
| 2 | 27371 | Starting flange | 1 | | 4 | 27515 | Nut M12 x 1.25 | 1 | |

Ignition coil



| Ref. No | Parts No | Parts Name | Q'ty | Remarks | Ref. No | Parts No | Parts Name | Q'ty | Remarks |
|---------|----------|------------------------|------|---------|---------|-----------|---------------------|------|---------|
| 1 | 34310 | Cap, spark plug | 1 | | 4 | 34510 | Ignition coil | 1 | |
| 2 | 34410 | Cable, engine stop | 1 | | 5 | 34511 | Bush, ignition coil | 1 | |
| 3 | 34500 | Ignition coil sub-assy | 1 | | 6 | GB5789-86 | Bolt M6 x 27 | 2 | |