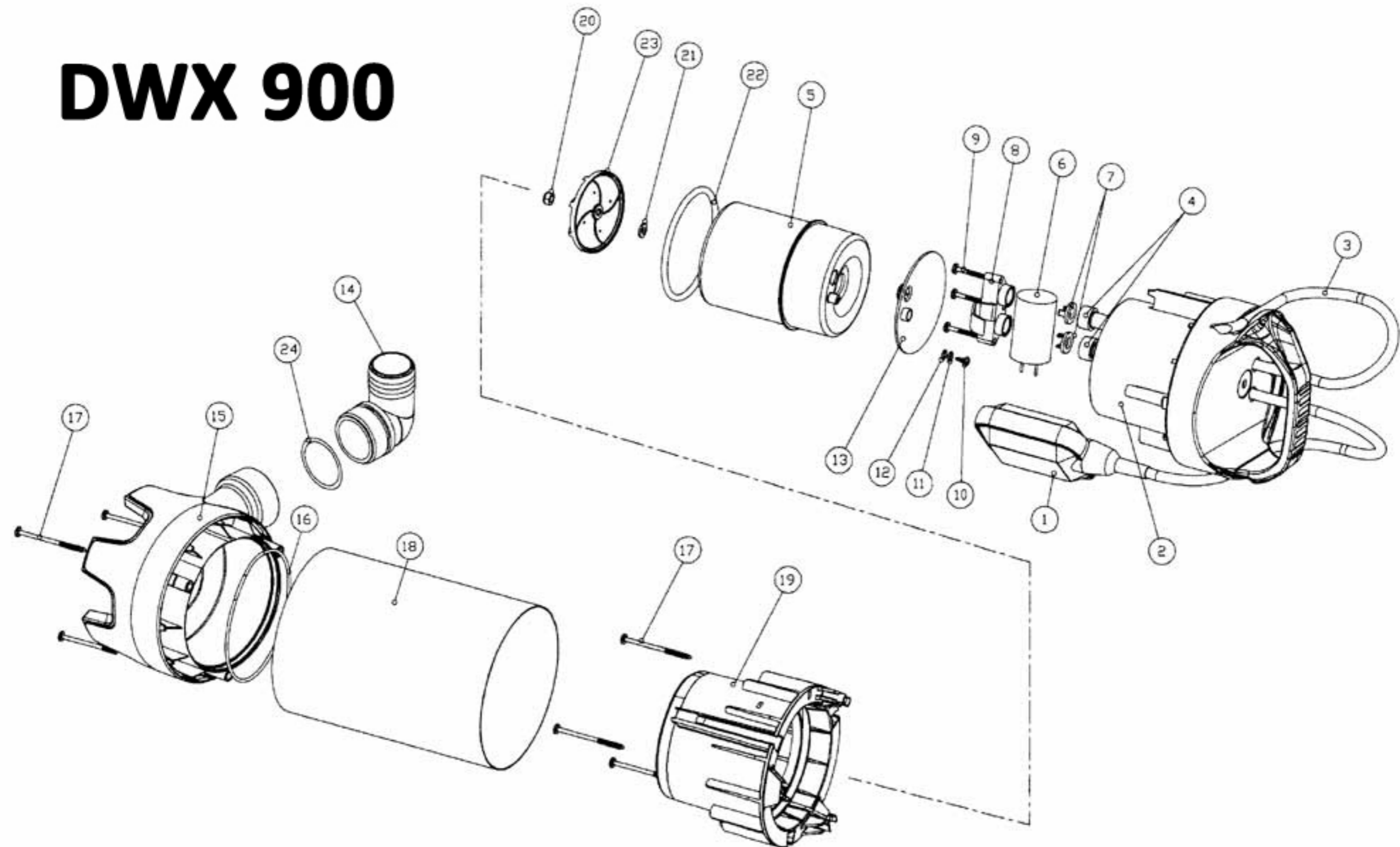


DWX 900



DWX 900

Model	Ref.	Art. Leader	Descrizione	Description	Description
CA520001 - DWX 900	1	P1380045	Galleggiante	Floatswitch	Flotteur
CA520001 - DWX 900	2	S3600337	Coperchio	Cap	Couvercle
CA520001 - DWX 900	3	P1330004	Cavo di alimentazione	Cable	Câble
CA520001 - DWX 900	4	P1230003	Passacavo d9	Grommet d9	Passa-câble d9
CA520001 - DWX 900	5	G4302002	Gruppo motore	Motor	Moteur
CA520001 - DWX 900	6	P1360034	Condensatore	Capacitor	Condensateur
CA520001 - DWX 900	7	S3500336	Anello antistrappo	Anti-tear ring	Anneau anti-coup sec
CA520001 - DWX 900	8	S3500335	Clip pressacavo	Cable fastener	Presse-câble
CA520001 - DWX 900	9	P1100008	Vite	Screw	Vis
CA520001 - DWX 900	10	P1100003	Vite terra	Earth screw	Vis de terre
CA520001 - DWX 900	11	P1120003	Rosetta elastica	Spring-washer	Rondelle élastique
CA520001 - DWX 900	12	P1120051	Rosetta	Washer	Rondelle
CA520001 - DWX 900	13	S3500106	Disco isolante	Insulation disk	Disque de isolement
CA520001 - DWX 900	14	S3600110	Portagomma 1.1/4" GAS x 35	Pipe fittings 1.1/4" GAS x 35	Raccord 1.1/4" GAS x 35
CA520001 - DWX 900	15	S3500906	Piedistallo	Pedestal	Piédestal
CA520001 - DWX 900	16	P1200095	Guarnizione O.Ring	Joint O.Ring	Joint torique
CA520001 - DWX 900	17	P1100017	Vite	Screw	Vis
CA520001 - DWX 900	18	P1600027	Camicia inox	Jacket inox	Chemise inox
CA520001 - DWX 900	19	S3500681	Corpo pompa	Pump housing	Corps de pompe
CA520001 - DWX 900	20	P1110005	Dado	Nut	Ecrou
CA520001 - DWX 900	21	P1120006	Rosetta	Washer	Rondelle
CA520001 - DWX 900	22	P1200007	Guarnizione O.Ring	Joint O.Ring	Joint torique
CA520001 - DWX 900	23	S3500014	Girante	Impeller	Roue
CA520001 - DWX 900	24	P1200009	Guarnizione O.Ring	Joint O.Ring	Joint torique