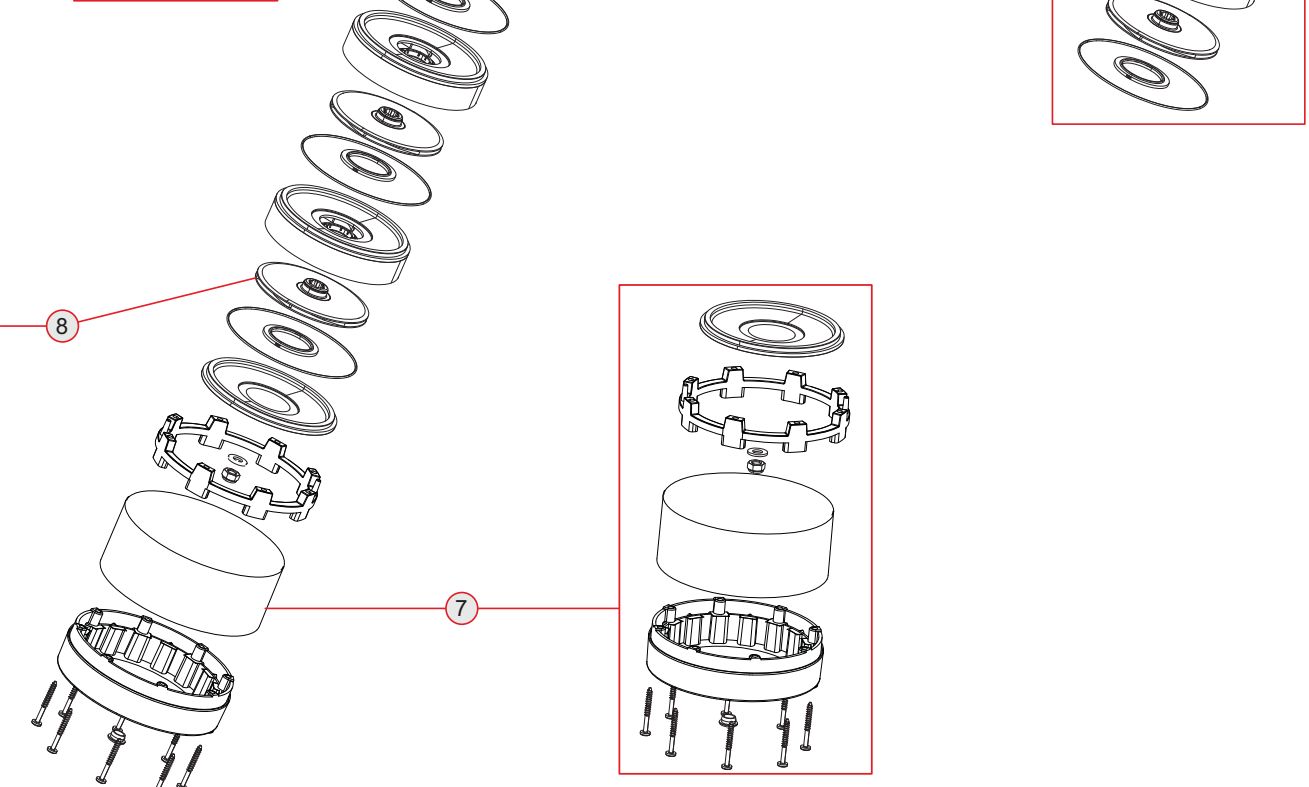
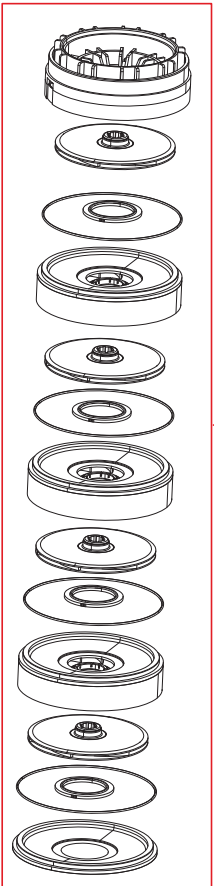
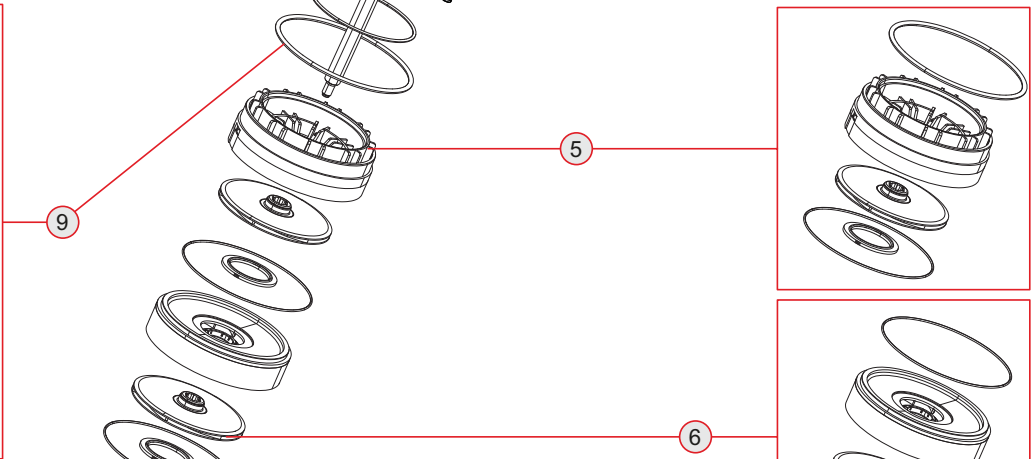
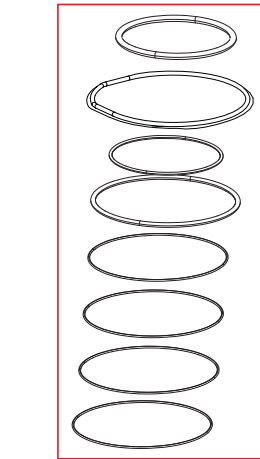
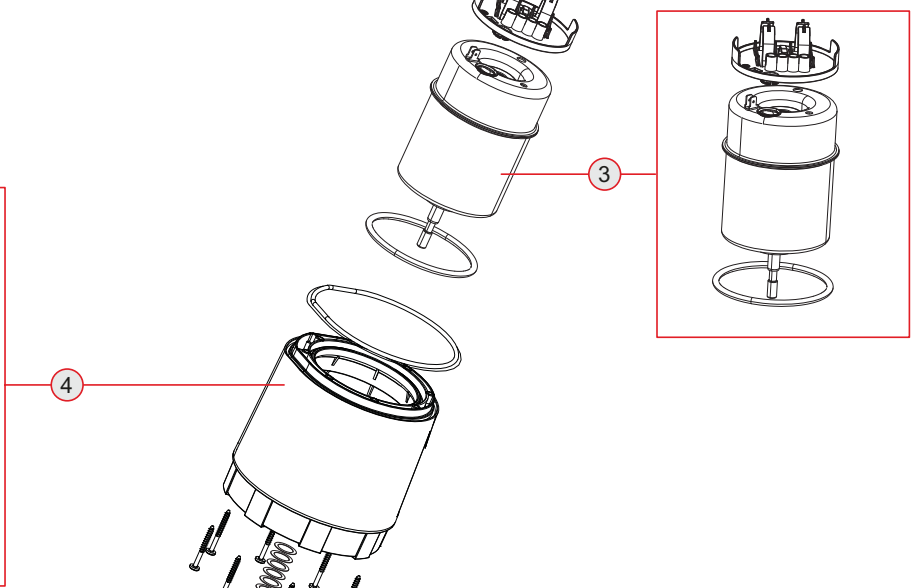
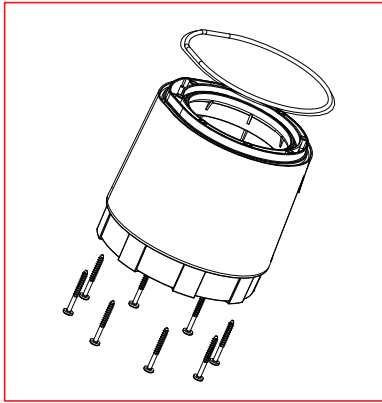
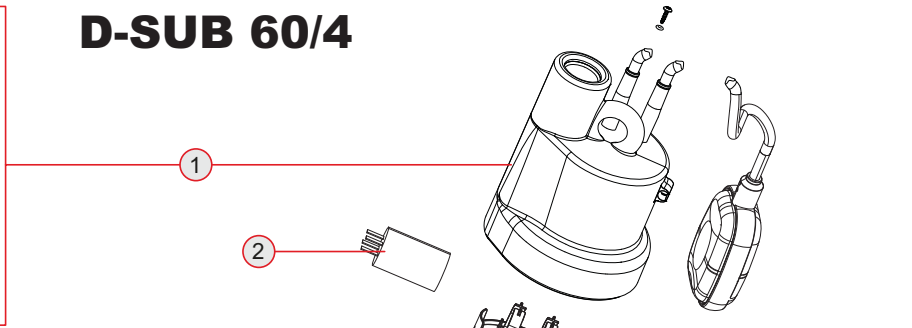
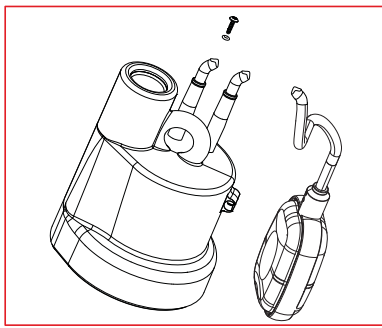


D-SUB 60/4



D-SUB 60/4

| Ref. No. | SP code | SP description | Cant |
|----------|-------------|--|------|
| 1 | SP00001904X | (SP) PUMP COVER WIRED DEEP 2H PLUG SCHUKO, 0.2 | 1 |
| 2 | SPP1360003X | CONDENSATORE 12.5UF V450 DOPPIO FASTON, 0.1.4 | 1 |
| 3 | SP60153125X | SPARE PARTS KIT - MOTOR ASS.Y H80 DIVER V230-50Hz W/C AISI30, 0. | 1 |
| 4 | SP00000513X | (SP) PUMP BODY DEEP 3-4I BLU, 0.1.8 (Manufacturing) | 1 |
| 5 | SP60153114X | (SP) GROUP DIFFUSERS SUPPORT DIVERTRON, 0.1.9 | 1 |
| 6 | SP60153119X | (SP) DIFFUSER + IMPELLER DIVERTRON, 0.1.8 | 1 |
| 7 | SP00000512X | (SP) BASE ECODIVER/DEEP BLU, 0.1.11 (Manufacturing) | 1 |
| 8 | SP60153121X | SPARE PARTS KIT-COMPL. HYDR. KIT DIVERTRON 1200 50Hz-Step 2, 0.1 | 1 |