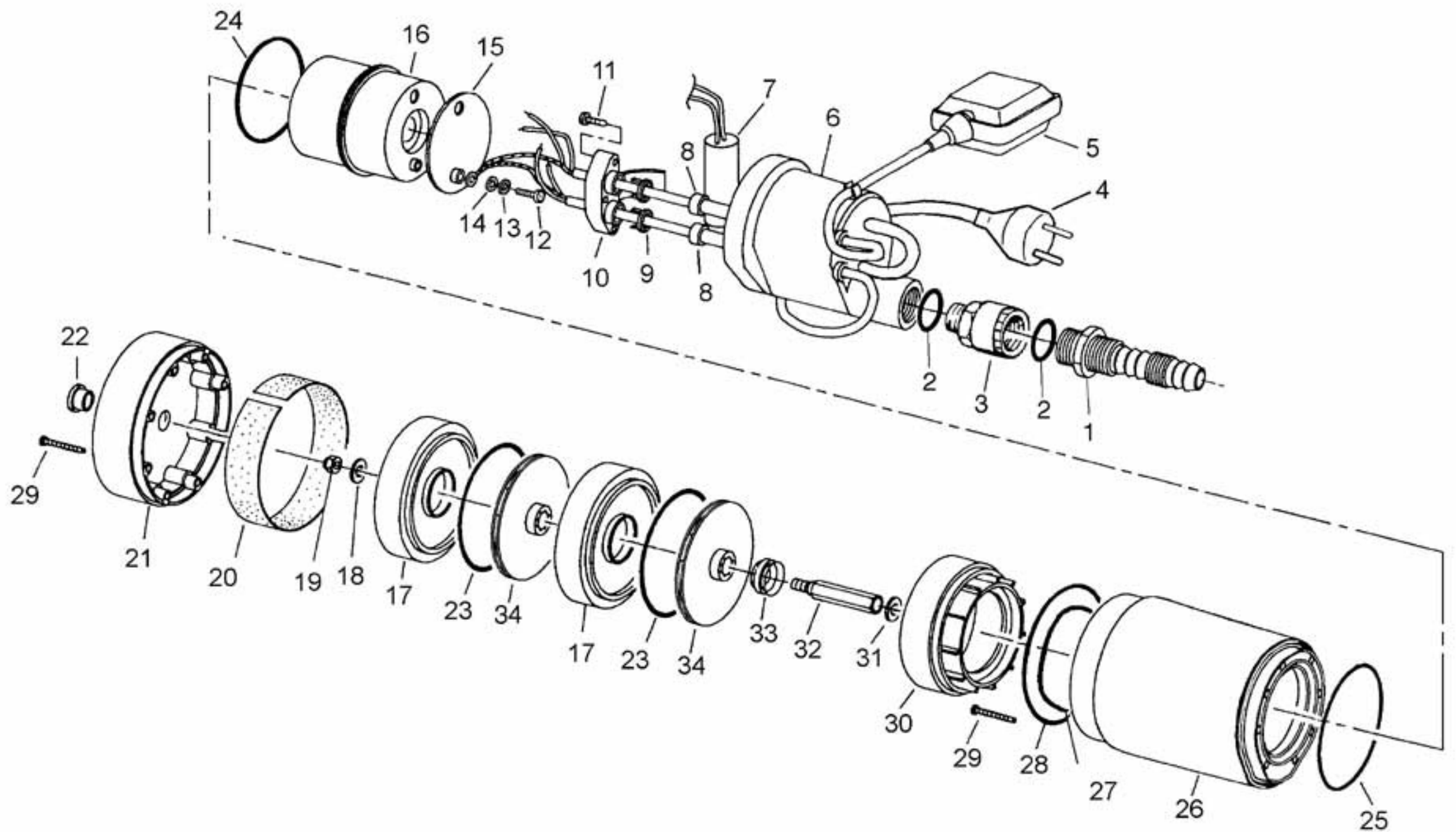


DPW 25/2



DPW 25/2

Model	Ref.	Art. Leader	Descrizione	Description	Description
CA602001 - DPW 25/2	1	S3600107	Raccordo portagomma	Pipe fittings	Raccord
CA602001 - DPW 25/2	2	P1200002	Guarnizione O.Ring	Joint O.Ring	Joint torique
CA602001 - DPW 25/2	3	60118885	Valvola di non ritorno M/F 1"	Non-return valve M/F 1"	Clapét anti-retour M/F 1"
CA602001 - DPW 25/2	4	P1330005	Cavo di alimentazione	Cable	Câble
CA602001 - DPW 25/2	5	P1380045	Galleggiante	Floatswitch	Flotteur
CA602001 - DPW 25/2	6	S3600187	Coperchio	Cap	Couvercle
CA602001 - DPW 25/2	7	P1360034	Condensatore	Capacitor	Condensateur
CA602001 - DPW 25/2	8	P1230003	Passacavo d9	Grommet d9	Passa-câble d9
CA602001 - DPW 25/2	9	S3500336	Anello antistrappo	Anti-tear ring	Anneau anti-coup sec
CA602001 - DPW 25/2	10	S3500335	Clip pressacavo	Cable fastener	Presse-câble
CA602001 - DPW 25/2	11	P1100008	Vite	Screw	Vis
CA602001 - DPW 25/2	12	P1100003	Vite terra	Earth screw	Vis de terre
CA602001 - DPW 25/2	13	P1120003	Rosetta elastica	Spring-washer	Rondelle élastique
CA602001 - DPW 25/2	14	P1120051	Rosetta	Washer	Rondelle
CA602001 - DPW 25/2	15	S3500106	Disco isolante	Insulation disk	Disque de isolement
CA602001 - DPW 25/2	16	G4303001	Gruppo motore	Motor	Moteur
CA602001 - DPW 25/2	17	S3250006	Diffusore	Diffuser	Diffuseur
CA602001 - DPW 25/2	18	P1120014	Rosetta	Washer	Rondelle
CA602001 - DPW 25/2	19	P1110009	Dado	Nut	Ecrou
CA602001 - DPW 25/2	20	S3220004	Anello filtro	Filter ring	Anneau filtre
CA602001 - DPW 25/2	21	S3500745	Base	Base	Base
CA602001 - DPW 25/2	22	P1230006	Tappino d12	Cap d12	Bouchon d12
CA602001 - DPW 25/2	23	P1200014	Guarnizione O.Ring	Joint O.Ring	Joint torique
CA602001 - DPW 25/2	24	P1200007	Guarnizione O.Ring	Joint O.Ring	Joint torique
CA602001 - DPW 25/2	25	P1200012	Guarnizione O.Ring	Joint O.Ring	Joint torique
CA602001 - DPW 25/2	26	S3500905	Corpo pompa	Pump housing	Corps de pompe
CA602001 - DPW 25/2	27	P1200020	Guarnizione O.Ring	Joint O.Ring	Joint torique
CA602001 - DPW 25/2	28	P1200015	Guarnizione O.Ring	Joint O.Ring	Joint torique
CA602001 - DPW 25/2	29	P1100012	Vite	Screw	Vis
CA602001 - DPW 25/2	30	S3600156	Supporto diffusori con OR	Diffuser flange	Flasque diffuseur
CA602001 - DPW 25/2	31	P1120012	Rosetta	Washer	Rondelle
CA602001 - DPW 25/2	32	S3100051	Albero esagonale	Hexagonal shaft	Arbre hexagonale
CA602001 - DPW 25/2	33	P1210005	Anello V.Ring	V. Ring	Anneau
CA602001 - DPW 25/2	34	S3250028	Girante	Impeller	Roue