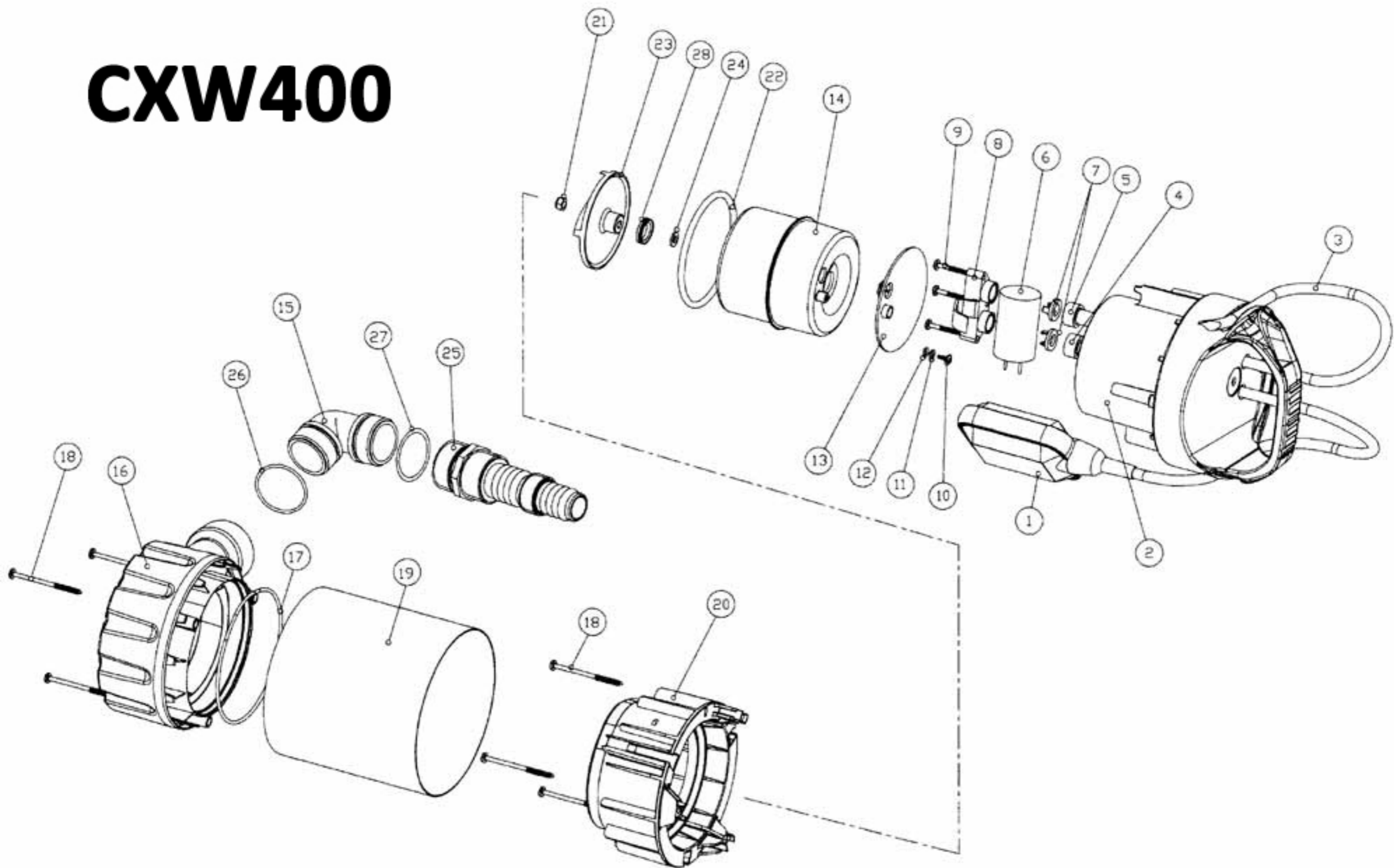


CXW400



CXW400

Model	Ref.	Art. Leader	Descrizione	Description	Description
CA410002 - CXW 400	1	P1380045	Galleggiante	Floatswitch	Flotteur
CA410002 - CXW 400	2	S3600337	Coperchio	Cap	Couvercle
CA410002 - CXW 400	3	P1320025	Cavo di alimentazione 10 m. H05RN-F	Cable 10m. H05RN-F	Câble 10m. H05RN-F
CA410002 - CXW 400	4	P1230003	Passacavo d9	Grommet d9	Passa-câble d9
CA410002 - CXW 400	5	P1230002	Passacavo d7,1	Grommet d7,1	Passa-câble d7,1
CA410002 - CXW 400	6	P1360034	Condensatore	Capacitor	Condensateur
CA410002 - CXW 400	7	S3500336	Anello antistrappo	Anti-tear ring	Anneau anti-coup sec
CA410002 - CXW 400	8	S3500335	Clip pressacavo	Cable fastener	Presse-câble
CA410002 - CXW 400	9	P1100008	Vite	Screw	Vis
CA410002 - CXW 400	10	P1100003	Vite terra	Earth screw	Vis de terre
CA410002 - CXW 400	11	P1120003	Rosetta elastica	Spring-washer	Rondelle élastique
CA410002 - CXW 400	12	P1120051	Rosetta	Washer	Rondelle
CA410002 - CXW 400	13	S3500106	Disco isolante	Insulation disk	Disque de isolement
CA410002 - CXW 400	14	G4301001	Gruppo motore	Motor	Moteur
CA410002 - CXW 400	15	S3600111	Curva con O.Ring	Elbow with O.Ring	Cuve avec O.Ring
CA410002 - CXW 400	16	S3500915	Base filtro	Filter base	Base filtre
CA410002 - CXW 400	17	P1200095	Guarnizione O.Ring	Joint O.Ring	Joint torique
CA410002 - CXW 400	18	P1100017	Vite	Screw	Vis
CA410002 - CXW 400	19	P1600026	Camicia inox	Jacket inox	Chemise inox
CA410002 - CXW 400	20	S3500680	Corpo pompa	Pump housing	Corps de pompe
CA410002 - CXW 400	21	P1110005	Dado	Nut	Ecrou
CA410002 - CXW 400	22	P1200007	Guarnizione O.Ring	Joint O.Ring	Joint torique
CA410002 - CXW 400	23	S3500528	Girante	Impeller	Roue
CA410002 - CXW 400	24	P1120006	Rosetta	Washer	Rondelle
CA410002 - CXW 400	25	S3600107	Raccordo portagomma	Pipe fittings	Raccord
CA410002 - CXW 400	26	P1200009	Guarnizione O.Ring	Joint O.Ring	Joint torique
CA410002 - CXW 400	27	P1200002	Guarnizione O.Ring	Joint O.Ring	Joint torique
CA410002 - CXW 400	28	P1210002	Guarnizione V.Ring	V.Ring joint	Joint