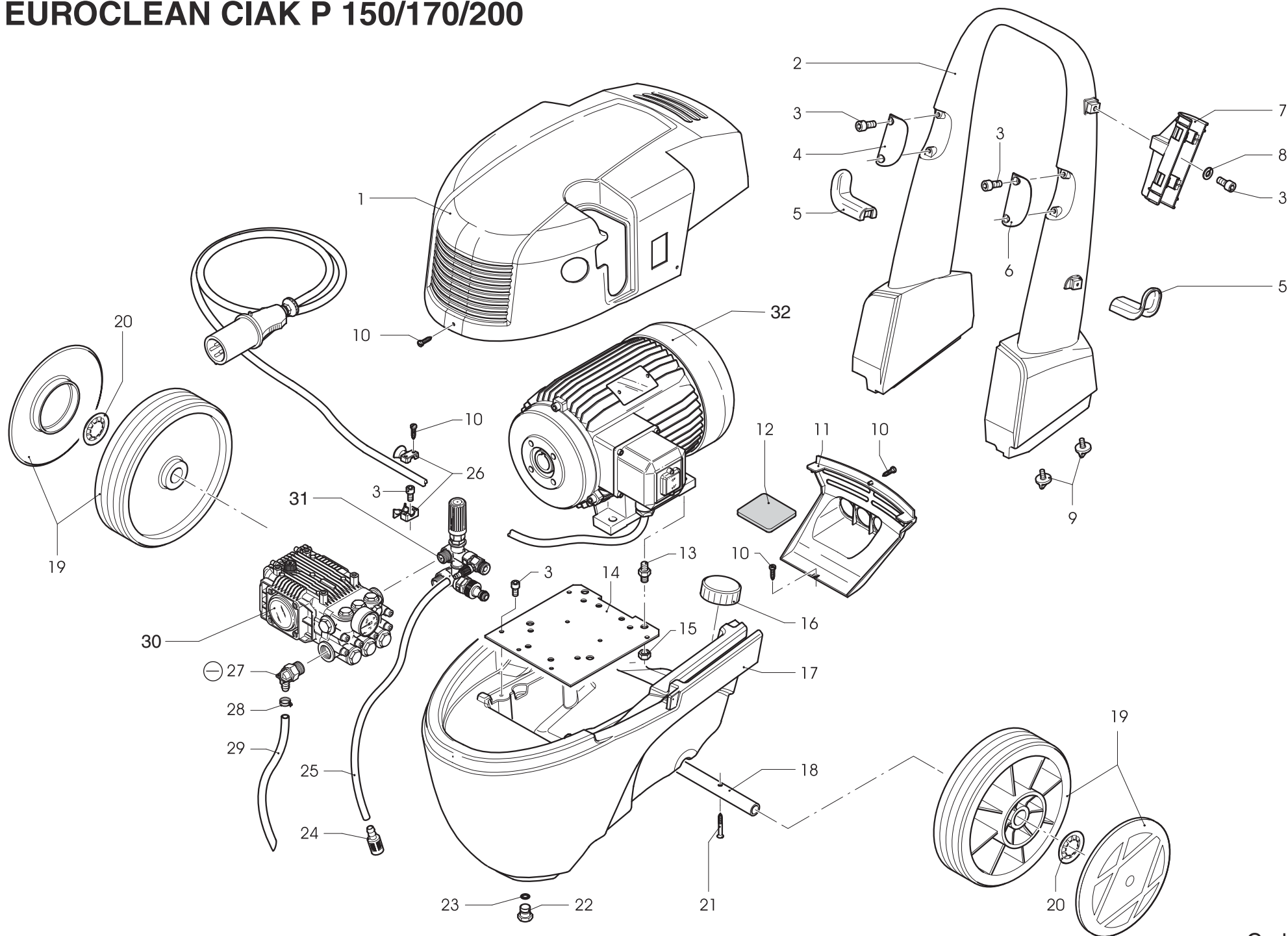


CIAM



EUROCLEAN CIAK P 150/170/200



Cod. 2850386

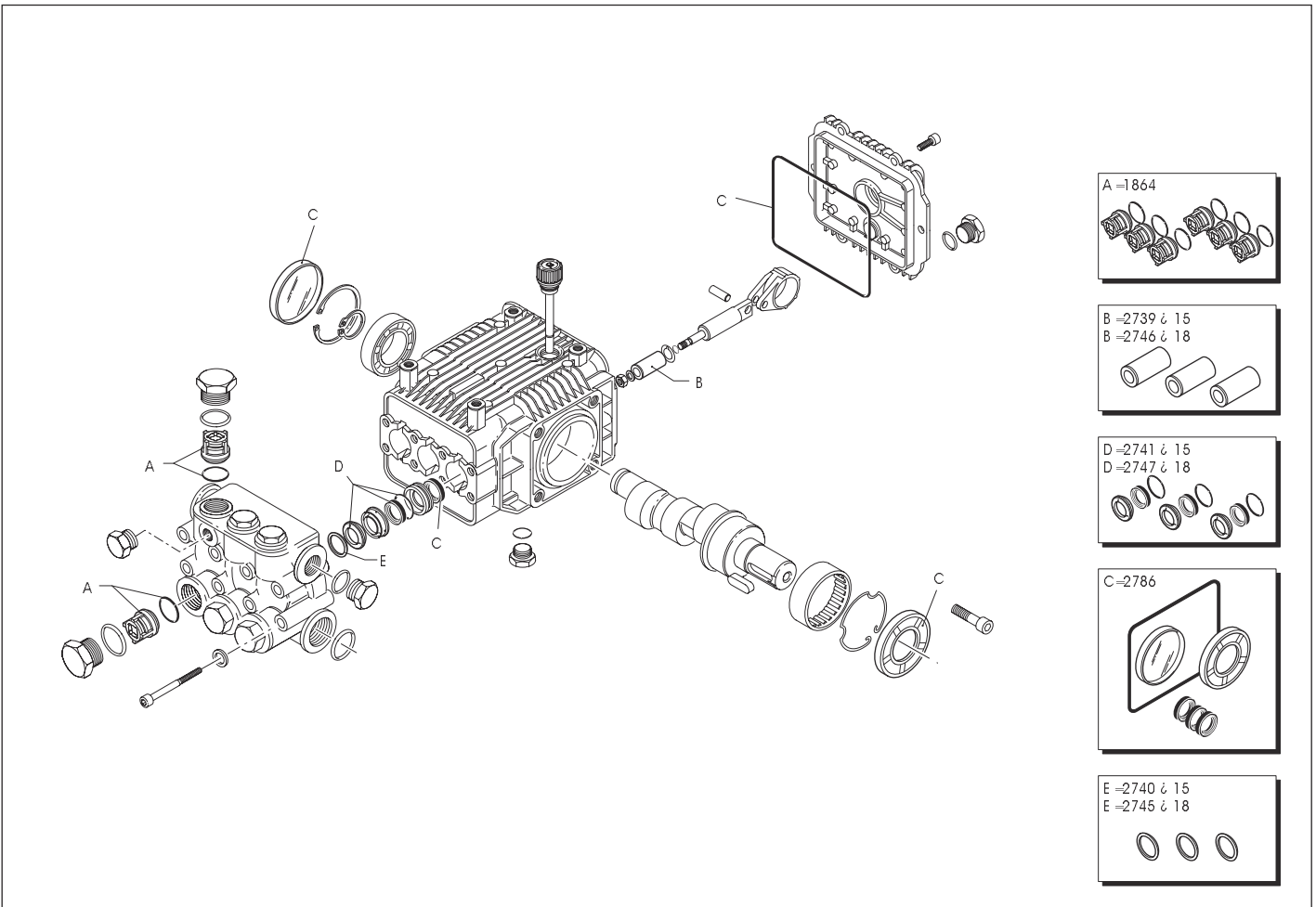
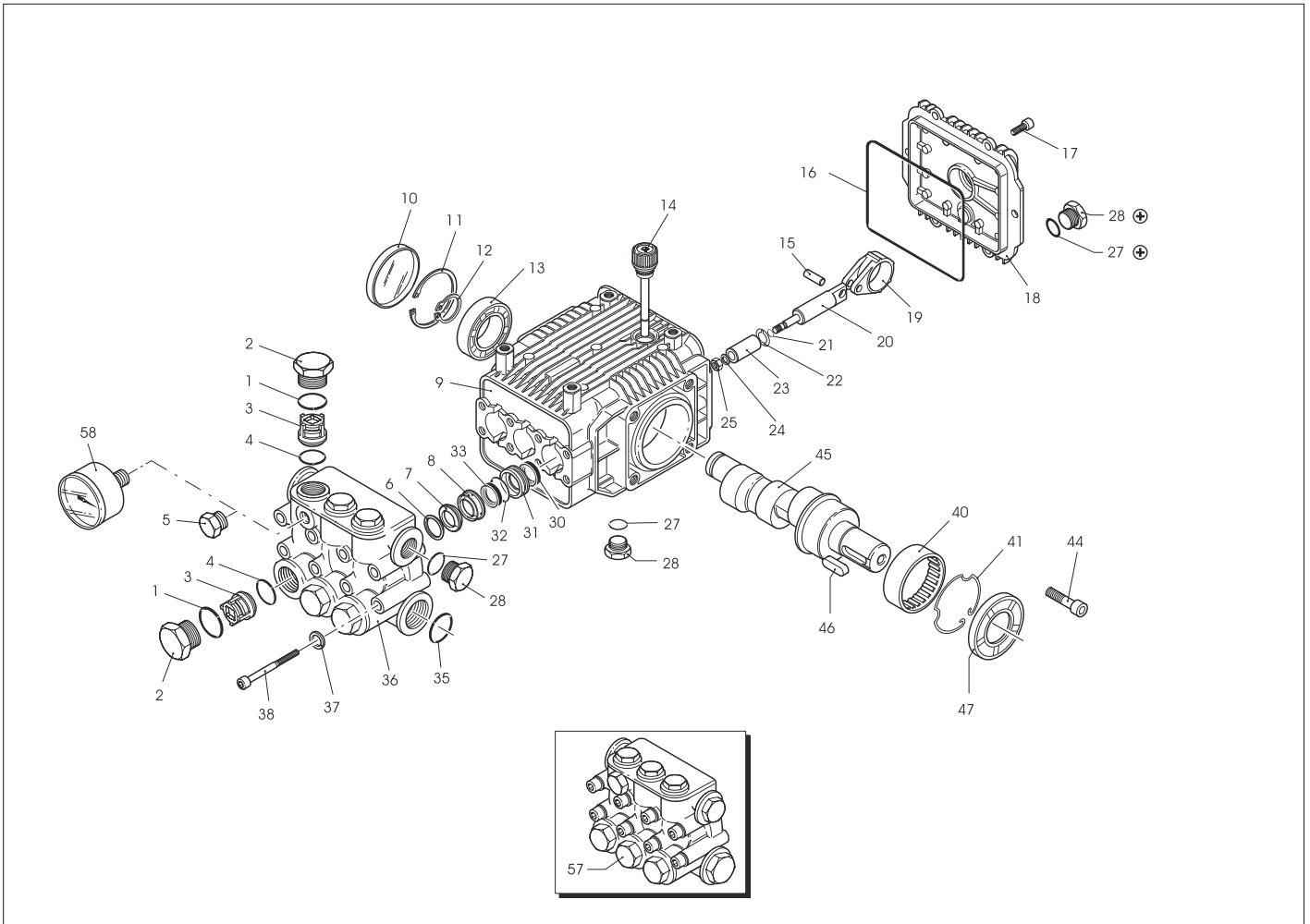
ESPLOSO EUROCLEAN CIAK P 150/170/200

TAV. 2850386

Nr.	P 150	P 170	P 200	IT	GB	FR	D	SP
1	1620780	1620780	1620780	COFANO SUPERIORE	UPPER CASING	CAPOT SUPÉRIEUR	OBERE HAUBE	CAJA SUPERIOR
2	1620905	1620905	1620905	MANICO	HANDLE	POIGNÉE	GRIFF	MANGO
3	1620906	1620906	1620906	VITE TCEI M5X10	SCREW	VIS	SCHRAUBE	TORNILLO
4	1620907	1620907	1620907	TAPPO MANICO SX	HANDLE PLUG SX	BOUCHON POIGNÉE SX	VERSCHLUSS SX	TAPÓN SX
5	1620908	1620908	1620908	GANCIO	HOOK			GANCHO
6	1620909	1620909	1620909	TAPPO MANICO DX	HANDLE PLUG DX	BOUCHON POIGNÉE DX	VERSCHLUSS DX	TAPÓN DX
7	1620910	1620910	1620910	SUPPORTO	SUPPORT	SUPPORT	STÜTZE	SOPORTE
9	1620911	1620911	1620911	POMELLO MANICO M5X15	HANDLE KNOB	BOULE	KUGELGRIFF	MANGO ESFÉRICO
10	1620888	1620888	1620888	VITE AUTOF. 3,5X16	SCREW	VIS	SCHRAUBE	TORNILLO
11	1620912	1620912	1620912	CARTER POSTERIORE	REAR CASIN	CARTER ARRIÈRE	HINTERES GEHÄUSE	CÁRTER TRASERO
12	1620913	1620913	1620913	GUARNIZIONE	GASKET	JOINT	DICHTUNG	GUARNICIÓN
13	1620914	1620914	1620914	COLONETTA M8	STUD BOLT	GOUJON	STIFTBOLZEN	COLUMNA
14	1620915	1620915	1620915	PIASTRA	PLATE	PLAQUE	PLATTE	PLACA
15	1680136	1680136	1680136	DADO M8	NUT	ECROU	SCHRAUBENMUTTER	TUERCA
16	1620916	1620916	1620916	TAPPO SERBATOIO	TANK PLUG	BOUCHON RÉSERVOIR	TANKVERSCHLUSS	TAPÓN DEPÓSITO
17	1620917	1620917	1620917	BASE CARRELLO	TROLLEY BASE			BASE CARRO
18	1620918	1620918	1620918	ASSALE CARRELLO	TROLLEY AXE	ESSIEU CHARIOT	WAGENACHSE	EJE CARRO
19	1620919	1620919	1620919	RUOTA+COPRIRUOTA	WHEEL+COVER	ROUE+COUVRE-ROUE	RAD+ABDECKUNG	RUEDA+CUBRE-RUEDA
20	1620920	1620920	1620920	RONDELLA DI FERMO	WASHER	RONDELLE	UNTERLEGSCHIEBE	ARANDELA
21	1240169	1240169	1240169	VITE TC M5X25	SCREW	VIS	SCHRAUBE	TORNILLO
22	1620657	1620657	1620657	TAPPO	PLUG	POIGNÉE	VERSCHLUSS	TAPÓN
23	1620656	1620656	1620656	OR Ø5,23X2,62	O-RING	JOINT TORIQUE	O-RING	JUNTA TÓRICA
24	1620921	1620921	1620921	FILTRO ASP. DETERGENTE	DETERGENT SUCTION FILTER			FILTRO ASP. DETERGENTE
25	1620922	1620922	1620922	TUBO DETERGENTE	DETERGENT HOSE	TUYAU DÉTERGENT VITRE	REINIG.MITTELROHR	TUBO DETERGENTE
26	1620923	1620923	1620923	PONTE SERRAGGIO	CABLE CLIP			PUENTE

27	1620986	1620986	1620986	VALVOLA PROTEZ. TERMICA	THERMAL PROTECTION VALVE			VALV. DE PROT. TERMICA
28	1620889	1620889	1620889	FASCETTA	CLAMP			FAJA
29	1620987	1620987	1620987	TUBO DETERGENTE	DETERGENT HOSE			TUBO DETERGENTE
30	1620328	1620329	1621006	POMPA	PUMP			BOMBA
31	1621002	1621002	1621002	VALVOLA	VALVE			VALVULA
32	1621000	1621000	1621001	MOTORE	MOTOR			MOTOR

POMPA EUROCLEAN CIAK P 150/170/200



ESPLOSO POMPA EUROCLEAN CIAK P 150/170/200

TAV. 2850387

Nr.	CODICE	MOD.	IT	GB	FR	D	SP
1	0902330	*	OR Ø 17,86X2,62	O-RING	JOINT TORIQUE	O-RING	JUNTA TÓRICA
2	0902400	*	TAPPO VALVOLA	VALVE PLUG	BOUCHON VALVE	VENTILVERSCHLUSS	TAPÓN VÁLVULA
3	0902168	*	VALVOLA COMPLETA	COMPLETE VALVE	VALVE COMPLÈTE	KOMPL. VENTIL	VÁLVULA COMPLETA
4	0902294	*	OR Ø 15,54X2,62	O-RING	JOINT TORIQUE	O-RING	JUNTA TÓRICA
5	0902169	*	TAPPO 1/8"G CONICO	PLUG	BOUCHON	VERSCHLUSS	TAPÓN
6	1620924	P 200	ANELLO APPOGGIO	SUPPORT RING	BAGUE D'APPUI	AUFLAGERING	ANILLO SOPORTE
	0902500	P150/P170	ANELLO APPOGGIO	SUPPORT RING	BAGUE D'APPUI	AUFLAGERING	ANILLO SOPORTE
7	0902174	P 200	GUARNIZIONE	GASKET	JOINT	DICHTUNG	GUARNICIÓN
	1620925	P150/P170	GUARNIZIONE	GASKET	JOINT	DICHTUNG	GUARNICIÓN
8	1620401	P 200	GUIDA PISTONE	PISTON GUIDE	GUIDE PISTONS	KOLBENFÜHRUNG	GUIA PISTÓN
	1620358	P150/P170	GUIDA PISTONE	PISTON GUIDE	GUIDE PISTONS	KOLBENFÜHRUNG	GUIA PISTÓN
9	1620350	*	CORPO POMPA	PUMP HOUSING	CORPS POMPE	HAUPTTEIL PUMPE	CUERPO BOMBA
10	0902184	*	CAPPELOTTO CHIUSURA	CAP	CHAPEAU	KAPPE	SOMBRERETE
11	0902535	*	ANELLO SEEGER	CIRCLIP	SEEGER	SEEGER-RING	ANILLO SEEGER
12	1620340	*	ANELLO ELASTICO	SNAP RING	CIRCLIP	GUMMIRING	ANILLO ELÁSTICO
13	1620341	*	CUSCINETTO	BEARING	PALIER	LAGER	COJINETE
14	0902230	*	TAPPO OLIO	OLIO INLET CAP	BOUCHON CHARGEMENT HUILE	ÖLEINFÜLLVERSCHLUSS	TAPÓN CARGA ACEITE
15	1620345	*	SPINOTTO	PIN	FICHE	KOLBENBOLZEN	CLAVIJA
16	1620342	*	OR Ø 106X3	O-RING	JOINT TORIQUE	O-RING	JUNTA TÓRICA
17	1620343	*	VITE TCEI M6X16	SCREW	VIS	SCHRAUBE	TORNILLO
18	1620344	*	COPERCHIO COMPLETO	COMPLETE COVER	COUVERCLE COMPLET	DECKEL GESAMT	TAPA COMPLETA
19	1620346	*	BIELLA	CON ROD	BIELLE	PLEUELSTANGE	BIELA
20	1620347	*	PISTONE DI GUIDA	GUIDING PISTON	PISTON DE GUIDAGE	FÜHRUNGSKOLBEN	PISTÓN DE GUIA
21	0902150	*	OR Ø 4,48X1,78	O-RING	JOINT TORIQUE	O-RING	JUNTA TÓRICA
22	0902162	*	DISCO SEPARATORE	SPACER DISC	DISQUE SÉPARATEUR	ABSCHIEDERSCHEIBE	DISCO SEPARADOR
23	0902550	P 200	PISTONE	PISTON	PISTON	KOLBEN	PISTÓN
	0902147	P150/P170	PISTONE	PISTON	PISTON	KOLBEN	PISTÓN
24	0902470	*	RONDELLA PISTONE	PISTON WASHER	RONDELLE PISTON	UNTERLEGSCHLEIBE KOLBEN	ARANDELA PISTÓN
25	1260003	*	DADO M8	NUT	ECROU	SCHRAUBENMUTTER	TUERCA
27	0902155	*	OR Ø 14X1,78	O-RING	JOINT TORIQUE	O-RING	JUNTA TÓRICA
28	1620700	*	TAPPO 3/8" GAS	PLUG	BOUCHON	VERSCHLUSS	TAPÓN
30	0902177	*	ANELLO TENUTA	SEAL RING	BAGUE D'ÉTANCHÉITÉ	DICHTUNGSRING	ANILLO RETENCI
31	1620402	P 200	GUIDA PISTONE POSTERIORE	REAR PISTON GUIDE	GUIDE PISTON ARRIÈRE	HINTERE KOLBENFÜHRUNG	GUIA PISTÓN POSTERIOR
	1620359	P150/P170	GUIDA PISTONE POSTERIORE	REAR PISTON GUIDE	GUIDE PISTON ARRIÈRE	HINTERE KOLBENFÜHRUNG	GUIA PISTÓN POSTERIOR

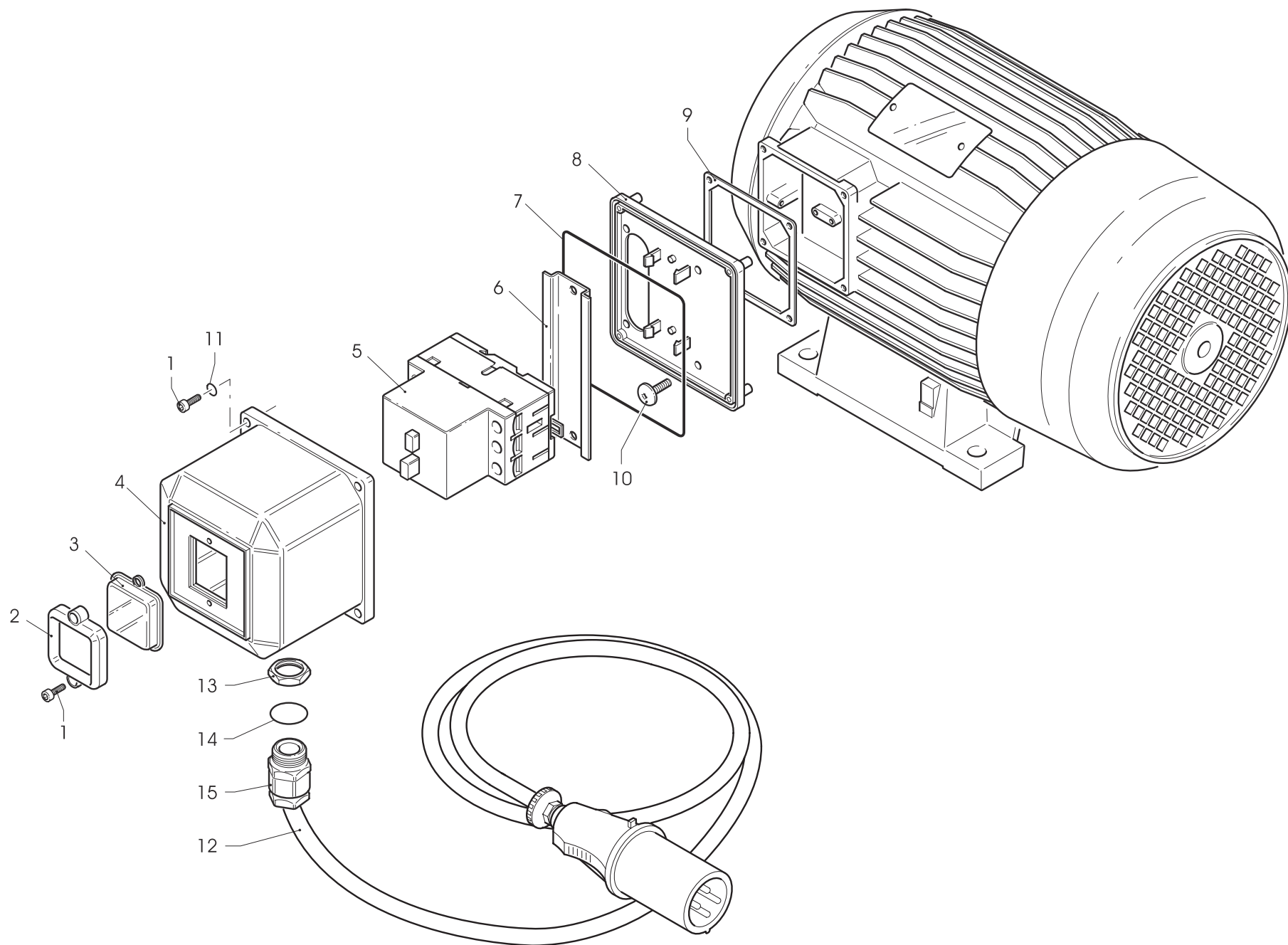
32	1620488	*	OR Ø 23,52X1,78	O-RING	JOINT TORIQUE	O-RING	JUNTA TÓRICA
33	0902178	P 200	GUARNIZIONE	GASKET	JOINT	DICHTUNG	GUARNICIÓN
	1620043	P150/P170	GUARNIZIONE	GASKET	JOINT	DICHTUNG	GUARNICIÓN
35	0902182	*	OR Ø 17,52X2	O-RING	JOINT TORIQUE	O-RING	JUNTA TÓRICA
36	1620926	P 200	TESTA	HEAD	TÊTE	KOPF	CABEZAL
	1620356	P150/P170	TESTA	HEAD	TÊTE	KOPF	CABEZAL
37	1620354	*	RONDELLA	WASHER	RONDELLE	UNTERLEGSCHIEBE	ARANDELA
38	1240093	*	VITE TCEI M6X60	SCREW	VIS	SCHRAUBE	TORNILLO
40	1620348	*	CUSCINETTO	BEARING	PALIER	LAGER	COJINETE
41	1620349	*	ANELLO ELASTICO	SNAP RING	CIRCLIP	GUMMIRING	ANILLO ELÁSTICO
44	1620494	*	VITE TCEI M8X20	SCREW	VIS	SCHRAUBE	TORNILLO
45	1620928	P 200	ALBERO ECCENTRICO	CRANKSHAFT	ARBRE EXCENTRIQUE	NOCKENWELLE	EJE EXCÉNTRICO
	1620929	P 170	ALBERO ECCENTRICO	CRANKSHAFT	ARBRE EXCENTRIQUE	NOCKENWELLE	EJE EXCÉNTRICO
	1620355	P 150	ALBERO ECCENTRICO	CRANKSHAFT	ARBRE EXCENTRIQUE	NOCKENWELLE	EJE EXCÉNTRICO
46	1620033	*	LINGUETTA	KEY	LANGUETTE	SPLINT	LENGÜETA
47	0902530	*	ANELLO TENUTA	SEAL RING	BAGUE D'ÉTANCHÉITÉ	DICHTUNGSRING	ANILLO RETENCI
57	1620927	P 200	PREM. TESTA POMPA	PUMP HEAD ASSEMBLY	PRÉMONTAGE TÊTE POMPE	VORMONTAGE PUMPENKOPF	PREMONTAJE CABEZAL BOMBA
	1620357	P150/P170	PREM. TESTA POMPA	PUMP HEAD ASSEMBLY	PRÉMONTAGE TÊTE POMPE	VORMONTAGE PUMPENKOPF	PREMONTAJE CABEZAL BOMBA
58	1620952	*	MANOMETRO 0-250	PRESSURE GAUGE	MANOMÈTRE	MANOMETER	MANÓMETRO

KIT RICAMBI/PARTS KITS

A	0902064	*	KIT VALVOLE	VALVES KIT			KIT VALVULA
B	1620404	*	KIT PISTONI	PISTONS KIT			KIT PISTON
B	1620361	*	KIT PISTONI	PISTONS KIT			KIT PISTON
C	1620450	*	KIT TENUTE OLIO	OIL SEALS KIT			KIT EMPAQ. ACEITE
D	1620376	*	KIT TENUTE ACQUA	WATER SEALS KIT			KIT EMPAQ. AGUA
D	1620362	*	KIT TENUTE ACQUA	WATER SEALS KIT			KIT EMPAQ. AGUA
E	1620403	*	KIT ANELLI APPOGGIO	SUPPORT RINGS KIT			KIT ANILLO APOYO
E	1620360	*	KIT ANELLI APPOGGIO	SUPPORT RINGS KIT			KIT ANILLO APOYO

* VALIDO PER TUTTI I MODELLI
VALID FOR ALL MODELS
VALIDO PARA TODOS LOS MODELOS

MOTORE EUROCLEAN CIAK P 150/170/200

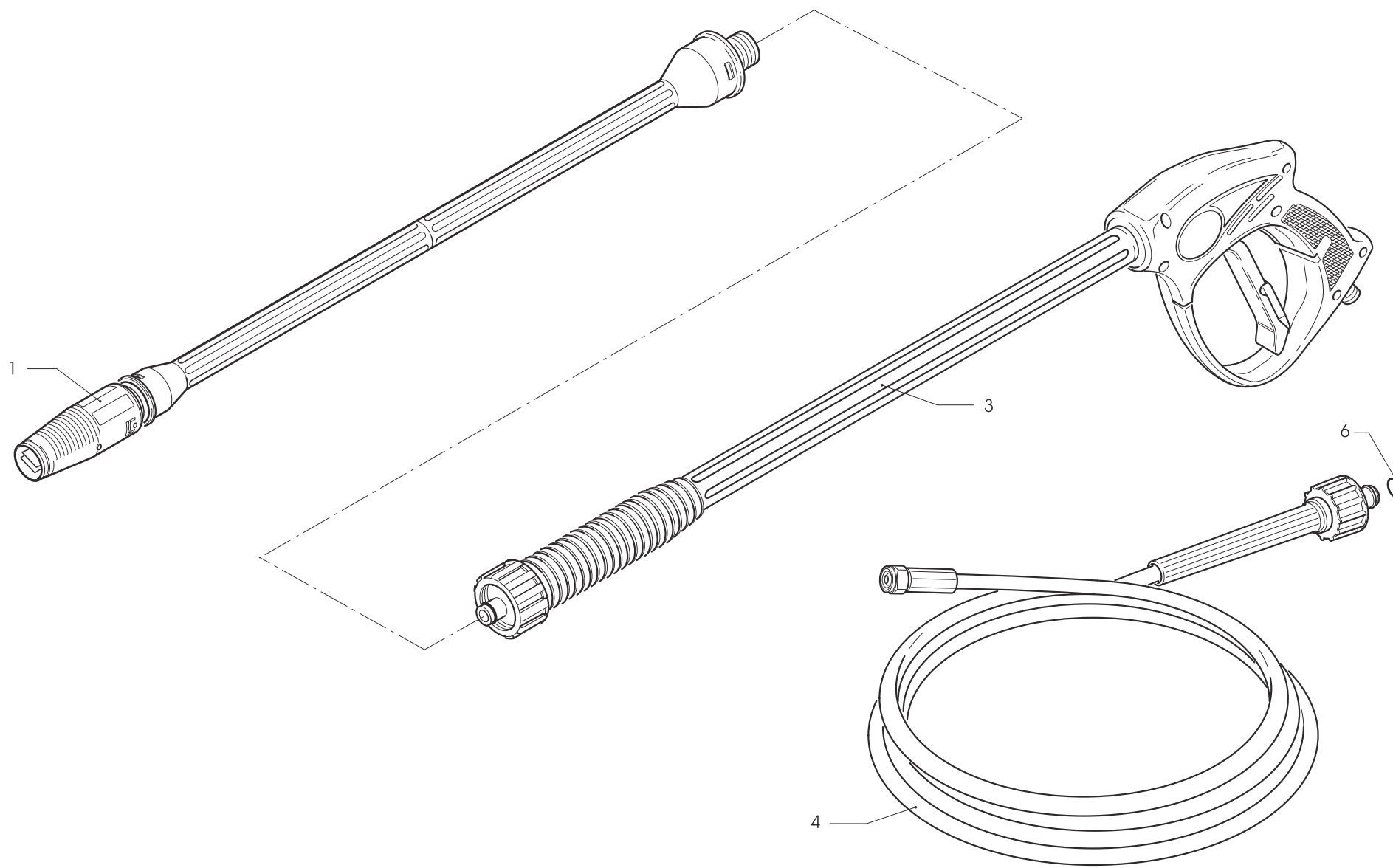


ESPLOSO MOTORE CIAK P 150/170/200

TAV. 2850388

Nr.	CODICE	IT	GB	FR	D	SP
1	1620569	VITE AUTOF. 3,9X16	SELF-TAPPING SCREW	VIS-TARAUD	SELBSTSCHNEIDENDE SCHR.	TORNILLO AUTORR.
2	1620953	CUFFIA DI PROTEZIONE	COVER			PROTECCION
3	1620954	CORNICE INTERRUTTORE	SWITCH FRAME			CUADRO INTERRUPTOR
4	1620955	COPERCHIO SCATOLA INTERR.	SWITCH BOX COVER	COUVERCLE BOÎTE INTERRUPTEUR	SCHALTERKASTENDECKEL	TAPA CAJA INTERRUPTOR
5	1620439	INTERRUTTORE	SWITCH	INTERRUPTEUR	SCHALTER	INTERRUPTOR
6	1620956	GUIDA INTERRUTTORE	SWITCH GUIDE			INTERRUPTOR GUIA
7	1620957	OR Ø 139,37 x 2,62	O-RING	JOINT TORIQUE	O-RING	JUNTA TÓRICA
8	1240146	BASE SCATOLA INTERRUTTORE	SWITCH BOX BASE	BASE BOÎTE INTERRUPTEUR	SCHALTERKASTENBASIS	BASE CAJA INTERRUPTOR
9	0902409	GUARNIZIONE	GASKET			EMPAQUETADURA
10	1620958	VITE TC M5X14	SCREW	VIS	SCHRAUBE	TORNILLO
11	1620959	OR Ø 3,69 x 1,78	O-RING	JOINT TORIQUE	O-RING	JUNTA TÓRICA
12	1620943	CAVO	CABLE	CÂBLE	KABEL	CABLE
13	1620960	CONTRODADO	NUT	ECROU	SCHRAUBENMUTTER	TUERCA
14	1620943	OR Ø 17,17X1,78	O-RING	JOINT TORIQUE	O-RING	JUNTA TÓRICA
15	1620999	PRESSACAVO	GLAND	COLLIER	KABELDURCHGANG	CÁRTER TRASERO NERO

EUROCLEAN CIAK P



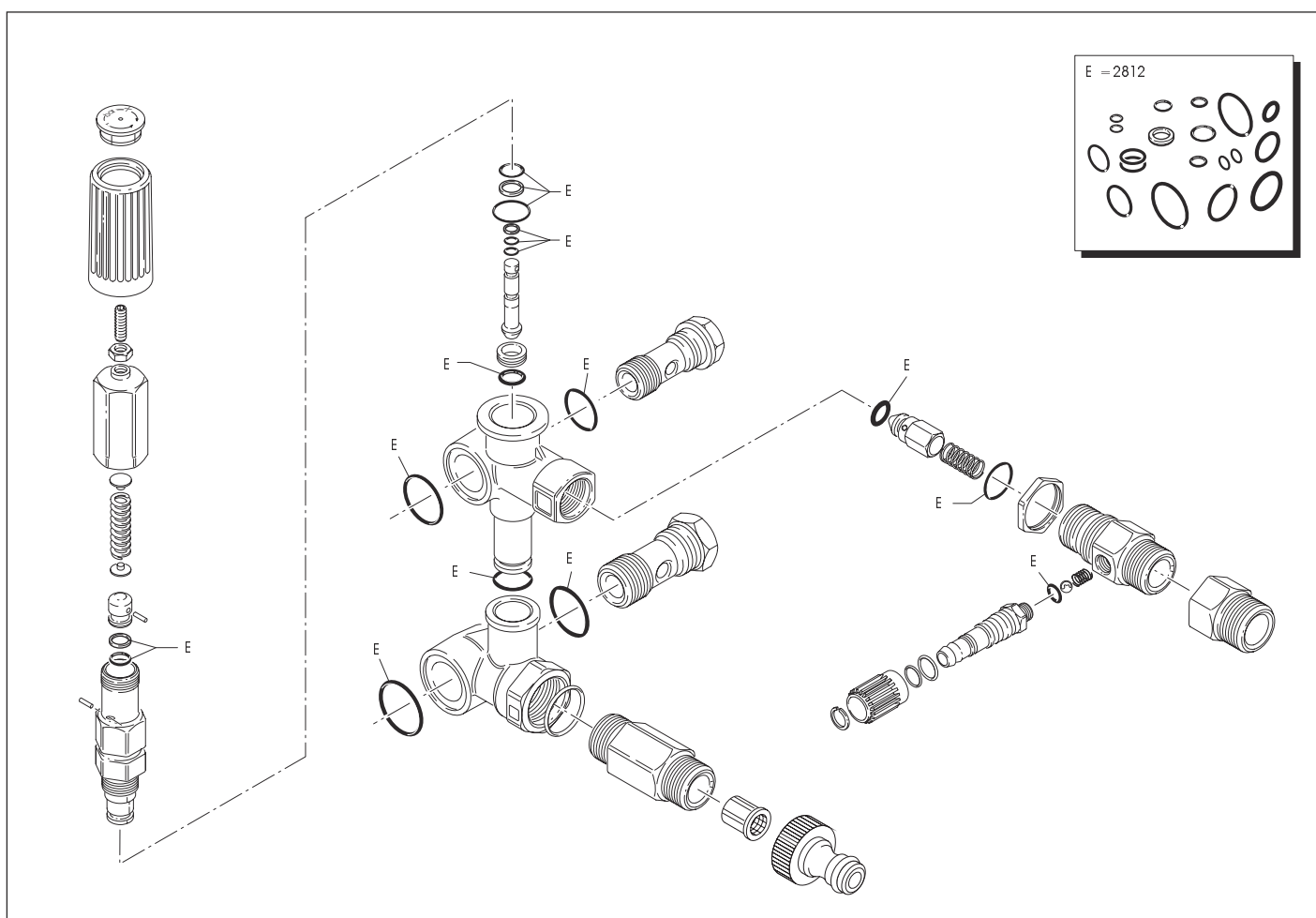
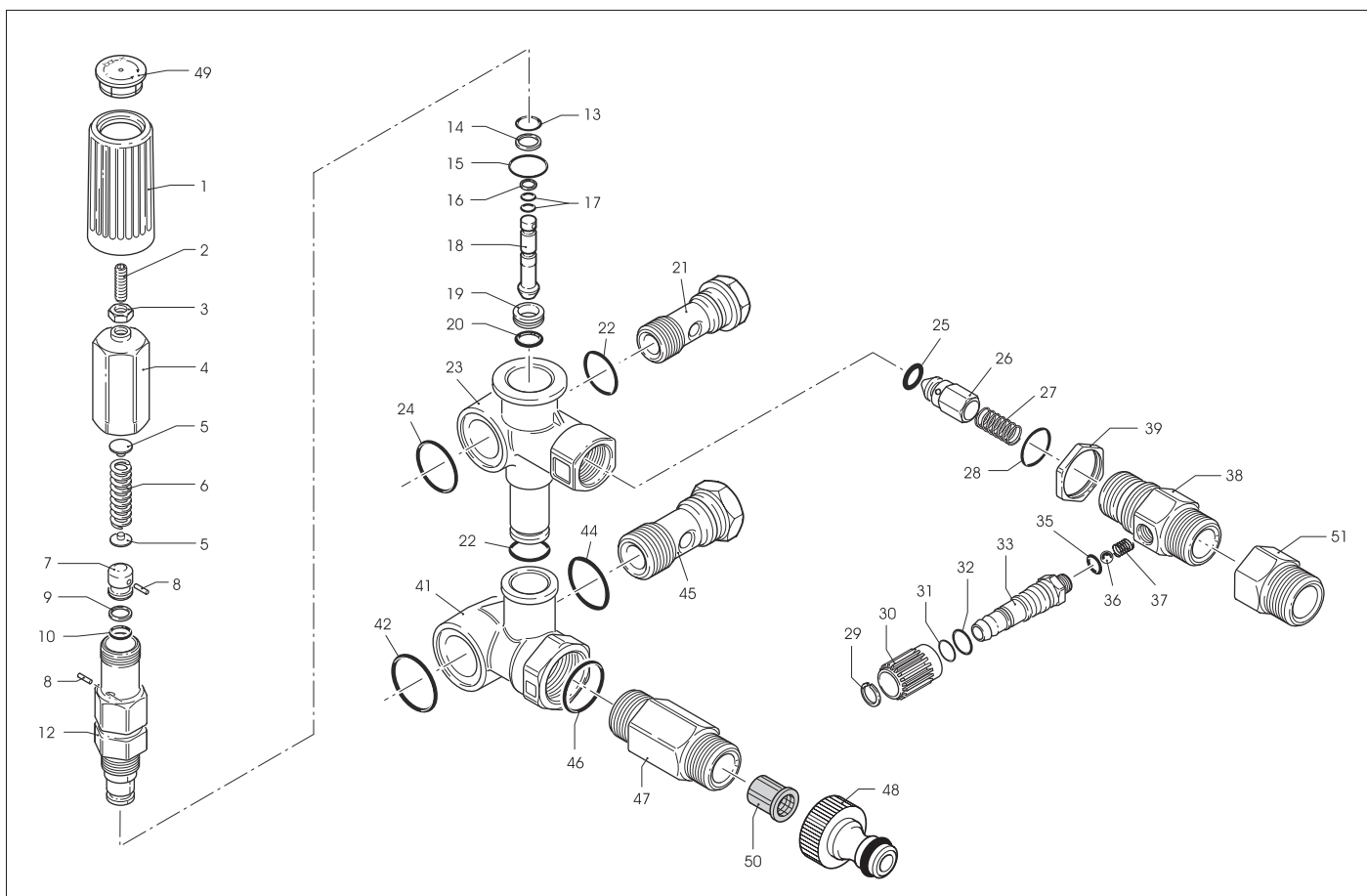
ESPLOSO ACCESSORI CIAK P

TAV. 2850389

Nr.	CODICE	MOD.	IT	GB	FR	D	SP
1	1920307	P 150	TESTINA+LANCIA Ø1,4	HEAD+LANCE	TÊTE+LANCE	DÜSENKOPF+STRAHLROHR	CABEZAL+LANZA
	1920309	P120/P170	TESTINA+LANCIA Ø1,25	HEAD+LANCE	TÊTE+LANCE	DÜSENKOPF+STRAHLROHR	CABEZAL+LANZA
	1920306	P 200	TESTINA+LANCIA Ø1,3	HEAD+LANCE	TÊTE+LANCE	DÜSENKOPF+STRAHLROHR	CABEZAL+LANZA
3	1920305	*	PISTOLA	GUN	PISTOLET	PISTOLE	PISTOLA
4	1920310	*	TUBO DI MANDATA	HIGH PRESSURE HOSE	TUYAU DE REFOULEMENT	HOCHDRUCKSCHLAUCH	TUBO DE ENVIO
6	1620625	*	OR Ø 10X2	O-RING	JOINT TORIQUE	O-RING	JUNTA TORICA

* TUTTI I MODELLI
ALL MODELS

VALVOLA EUROCLEAN CIAK P 120/150/170/200



ESPLOSO VALVOLA EUROCLEAN CIAK P 120/150/170/200

TAV. 2850390

Nr.	CODICE	MOD.	IT	GB	FR	D	SP
1	1620930	*	MANOPOLA	HANDLE	POIGNÉE	DREHKNOPF	MANILLA
2	1620717	*	GRANO M6X20	GRUB SCREW	VIS SANS TÊTE	KORN	ESPIGA
3	1620509	*	DADO M6	NUT	ECROU	SCHRAUBENMUTTER	TUERCA
4	1620511	*	INSERTO MANOPOLA	KNOB INSERT	ENCLenchEMENT BOUTON	DREHKNOPFEINSATZ	INSERTO MANILLA
5	1620512	*	PIATELLO MOLLA	SPRING PLATE	PLATEAU RESSORT	FEDERTELLER	PLATILLO RESORTE
6	1620513	*	MOLLA	SPRING	RESSORT	FEDER	RESORTE
7	0902192	*	PISTONE SUPERIORE	UPPER PISTON	PISTON SUPÉRIEUR	OBERER KOLBEN	PISTÓN SUPERIOR
8	0902194	*	SPINA	PIN	FICHE	STECKER	ENCHUFE
9	1620138	*	ANELLO ANTIESTRUSIONE	BACK-UP RING	BAGUE ANTI-EXTRUSION	ANTI-AUSWURFRING	ANILLO ANTIEXTRUSIÓN
10	0902197	*	OR Ø7,66X1,78	O-RING	JOINT TORIQUE	O-RING	JUNTA TÓRICA
12	1620514	*	GUIDA PISTONE	PISTON GUIDE	GUIDE PISTON	KOLBENFÜHRUNG	GUIA PISTÓN
13	0902155	*	OR Ø7,66X1,78	O-RING	JOINT TORIQUE	O-RING	JUNTA TÓRICA
14	0902110	*	OR Ø7,66X1,78	O-RING	JOINT TORIQUE	O-RING	JUNTA TÓRICA
15	0902294	*	OR Ø7,66X1,78	O-RING	JOINT TORIQUE	O-RING	JUNTA TÓRICA
16	1620515	*	ANELLO ANTIESTRUSIONE	BACK-UP RING	BAGUE ANTI-EXTRUSION	ANTI-AUSWURFRING	ANILLO ANTIEXTRUSIÓN
17	0902409	*	OR Ø 7,66X1,78	O-RING	JOINT TORIQUE	O-RING	JUNTA TÓRICA
18	1620516	*	PISTONE INFERIORE	LOWER PISTON	PISTON INFÉRIEUR	UNTERER KOLBEN	PISTÓN INFERIOR
19	1620932	*	SEDE VALVOLA	VALVE SEAT	LOGEMENT VALVE	BYPASS-SITZ	SEDE VÁLVULA
20	1620518	P 120	OR Ø 9 x 1	O-RING	JOINT TORIQUE	O-RING	JUNTA TÓRICA
21	1620933	*	VITE 3/8" G	SCREW	VIS	SCRAUBE	TORNILLO
22	0902202	*	OR Ø 11,91X2,62	O-RING	JOINT TORIQUE	O-RING	JUNTA TÓRICA
23	1620934	*	CORPO VALVOLA	VALVE HOUSING	CORPS VALVE	HPT. TEIL BYPASS	CUERPO VÁLVULA
24	0902435	*	OR Ø 20,24X2,62	O-RING	JOINT TORIQUE	O-RING	JUNTA TÓRICA
25	1620160	*	OR Ø 4X2,5	O-RING	JOINT TORIQUE	O-RING	JUNTA TÓRICA
26	1680192	*	OTTURATORE	JET	CLAPET	VERSCHLUSS(STRAHL)	OBTURADOR
27	1680191	*	MOLLA	SPRING	RESSORT	FEDER	RESORTE
28	0902140	*	OR Ø7,66X1,78	O-RING	JOINT TORIQUE	O-RING	JUNTA TÓRICA
29	1620935	*	ANELLO	RING	BAGUE		ANILLO
30	1620936	*	MANOPOLA	HANDLE	POIGNÉE	DREHKNOPF	MANILLA
31	1620793	*	OR Ø 6,75x1,78	O-RING	JOINT TORIQUE	O-RING	JUNTA TÓRICA
32	0902110	*	OR Ø 8,73x1,78	O-RING	JOINT TORIQUE	O-RING	JUNTA TÓRICA
33	1620937	*	PORTAGOMMA	HOSE TAIL	PORTE-TUYAUX	SCHLAUCHANSCHLUSS	PORTA-GOMMA
35	0902150	*	OR Ø 4,48x1,78	O-RING	JOINT TORIQUE	O-RING	JUNTA TÓRICA

36	0902444	*	SFERA INOX	STAINLESS STEEL BALL	SPHÈRE INOX	INOX-KUGEL	BOLA INOX
37	1620522	*	MOLLA	SPRING	RESSORT	FEDER	RESORTE
38	1620939	*	RACCORDO 3/8"G Ø2,3	FITTING	RACCORD	VERBINDUNGSSTÜCK	RACOR
	1620938	P 120	RACCORDO 3/8"G Ø2,3	FITTING	RACCORD	VERBINDUNGSSTÜCK	RACOR
39	1620940	*	CONTRODADO	NUT	ECROU	SCHRAUBENMUTTER	TUERCA
41	1620988	*	CORPO BY-PASS	BY-PASS HOUSING	CORPS BY-PASS	HPT.TEIL BYPASS	CUERPO BY-PASS
42	1620942	*	OR Ø 23,47X2,62	O-RING	JOINT TORIQUE	O-RING	JUNTA TÓRICA
44	1620943	*	OR Ø 17,17X1,78	O-RING	JOINT TORIQUE	O-RING	JUNTA TÓRICA
45	1620944	*	VITE 1/2" G	SCREW	VIS	SCRAUBE	TORNILLO
46	1620645	*	OR Ø17,13X2,62	O-RING	JOINT TORIQUE	O-RING	JUNTA TÓRICA
47	1620946	*	RACCORDO	FITTING	RACCORD	VERBINDUNGSSTÜCK	RACOR
48	1620189	*	INNESTO RACCORDO+GUARN.	ATTACHMENT FOR TAP+GASKET	ENCLENCH. RACCORD+JOINT	KUPPL. STCK. VERB.+DICHT.	ACOPL.RACOR+GUARN.
49	1620947	*	TAPPO MANOPOLA	KNOB PLUG	BOUCHON POIGNÉE	DREHKNOPFVERSCHLUS S	TAPÓN MANILLA
50	1620187	*	FILTRO ASP. ACQUA	SUCTION STRAINER	FILTRE ASPIRATION EAU	WASSERANSAUGFILTER	FILTRO ASP. AGUA
51	1620948	*	RACCORDO	FITTING	RACCORD	VERBINDUNGSSTÜCK	RACOR
E	1621011	*	KIT OR	O-RING KIT	KIT OR	OR KIT	KIT OR