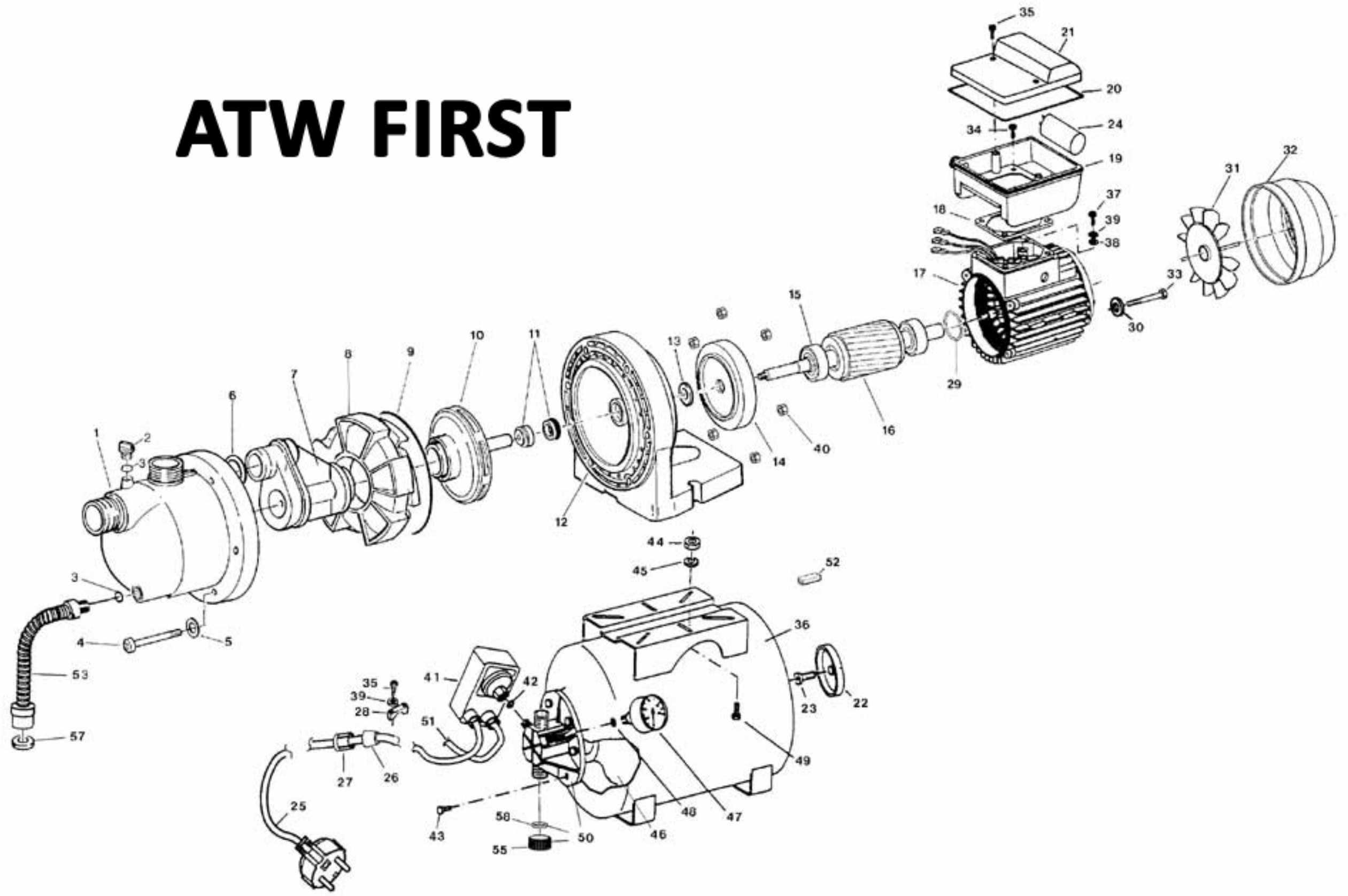


ATW FIRST



ATW FIRST

Model	Ref.	Art. Leader	Descrizione	Description	Description
CA300001 - ATW FIRST	1	S3500410	Corpo pompa	Pump housing	Corps de pompe
CA300001 - ATW FIRST	2	S3500009	Tappo filetato 3/8" GAS	Screw 3/8" GAS	Bouchon 3/8" GAS
CA300001 - ATW FIRST	3	P1200004	Guarnizione O.Ring	Joint O.Ring	Joint torique
CA300001 - ATW FIRST	4	P1100002	Vite	Screw	Vis
CA300001 - ATW FIRST	5	P1120009	Rosetta	Washer	Rondelle
CA300001 - ATW FIRST	6	P1200024	Guarnizione O.Ring	Joint O.Ring	Joint torique
CA300001 - ATW FIRST	7	S3250012	Gruppo idraulico	Injector	Groupe hydraulique
CA300001 - ATW FIRST	8	S3500247	Diffusore	Diffusor	Diffuseur
CA300001 - ATW FIRST	9	P1200015	Guarnizione O.Ring	Joint O.Ring	Joint torique
CA300001 - ATW FIRST	10	S3150048	Girante	Impeller	Roue
CA300001 - ATW FIRST	11	P1220003	Gruppo tenuta meccanica	Mechanical seal	Etanchéité mécanique
CA300001 - ATW FIRST	12	S3600150	Flangia senza manico	Flange without handle	Flasque sans poignée
CA300001 - ATW FIRST	13	P1240001	Paraspruzzi	Joint	Joint
CA300001 - ATW FIRST	14	S3120007	Flangia	Flange	Flasque
CA300001 - ATW FIRST	15	P1180007	Cuscinetto	Bearing	Roulement
CA300001 - ATW FIRST	16	S3101010	Albero rotore completo di cuscinetti	Shaft with bearings	Arbre avec roulements
CA300001 - ATW FIRST	17	S3410238	Statore completo	Stator	Stator complét
CA300001 - ATW FIRST	18	S3500199	Gasket bassetta 63/71	Gasket 63/71	Gasket 63/71
CA300001 - ATW FIRST	19	S3500221	Base portacondensatore	Base capacitor holder	Base boîtier
CA300001 - ATW FIRST	20	P1200013	Guarnizione O.Ring	Joint O.Ring	Joint torique
CA300001 - ATW FIRST	21	S3500225	Coperchio portacondensatore	Cap capacitor holder	Couvercle boîtier
CA300001 - ATW FIRST	22	S3500166	Coprivalvola serbatoio	Valve cap	Bouchon
CA300001 - ATW FIRST	23	P1230008	Valvola per serbatoio	Valve	Valve
CA300001 - ATW FIRST	24	P1360018	Condensatore	Capacitor	Condensateur
CA300001 - ATW FIRST	25	P1330066	Cavo di alimentazione	Cable	Câble
CA300001 - ATW FIRST	26	P1230001	Gommino d9	Joint d9	Joint d9
CA300001 - ATW FIRST	27	P1510009	Dado	Nut	Ecrou
CA300001 - ATW FIRST	28	P1510004	Cricchetto serracavo	Cable fastener	Presse-câble
CA300001 - ATW FIRST	29	P1120002	Anello onda	Waved ring	Anneau ondulé
CA300001 - ATW FIRST	30	P1120030	Rosetta	Washer	Rondelle
CA300001 - ATW FIRST	31	P1510014	Ventola raffreddamento Mec 63	Fan Mec 63	Ventilateur Mec 63
CA300001 - ATW FIRST	32	P1510043	Copriventola Mec 63	Fan cover Mec 63	Cache ventilateur Mec 63
CA300001 - ATW FIRST	33	P1100046	Vite	Screw	Vis
CA300001 - ATW FIRST	34	P1100004	Vite	Screw	Vis
CA300001 - ATW FIRST	35	P1100006	Vite	Screw	Vis
CA300001 - ATW FIRST	36	S3206012	Carcassa serbatoio 24 lt.	Shell 24lt.	Reservoir 24lt.
CA300001 - ATW FIRST	37	P1100055	Vite	Screw	Vis
CA300001 - ATW FIRST	38	P1120051	Rosetta	Washer	Rondelle
CA300001 - ATW FIRST	39	P1120003	Rosetta elastica	Spring-washer	Rondelle élastique
CA300001 - ATW FIRST	40	P1110001	Dado	Nut	Ecrou
CA300001 - ATW FIRST	41	P1380042	Pressostato	Pressure switch	Pressostat
CA300001 - ATW FIRST	42	P1200016	Guarnizione O.Ring	Joint O.Ring	Joint torique
CA300001 - ATW FIRST	43	P1100026	Vite	Screw	Vis
CA300001 - ATW FIRST	44	P1110003	Dado	Nut	Ecrou
CA300001 - ATW FIRST	45	P1120005	Rosetta	Washer	Rondelle
CA300001 - ATW FIRST	46	P1230022	Membrana	Membrane	Membrane
CA300001 - ATW FIRST	47	P1170002	Manometro	Manometer	Manomètre
CA300001 - ATW FIRST	48	P1200003	Guarnizione O.Ring	Joint O.Ring	Joint torique
CA300001 - ATW FIRST	49	P1100005	Vite	Screw	Vis
CA300001 - ATW FIRST	50	S3600380	Flangia 4 vie	4-way flange	Flasque à 4 voies
CA300001 - ATW FIRST	51	P1330008	Cavo collegamento pressostato	Cable	Câble
CA300001 - ATW FIRST	52	P1390011	Membrana	Membrane	Membrane
CA300001 - ATW FIRST	53	P1590086	Tuboflex	Flexible pipe	Tuyau flex
CA300001 - ATW FIRST	55	S3500527	Tappo 1" GAS	Cap 1" GAS	Bouchon 1" GAS
CA300001 - ATW FIRST	57	P1240025	Guarnizione piana	Joint	Joint
CA300001 - ATW FIRST	58	P1200049	Guarnizione O.Ring	Joint O.Ring	Joint torique